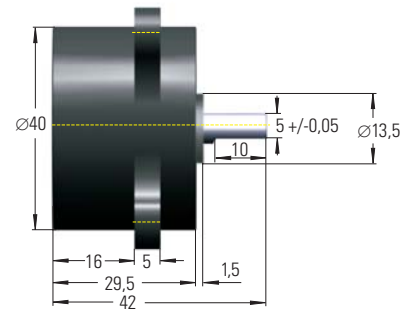
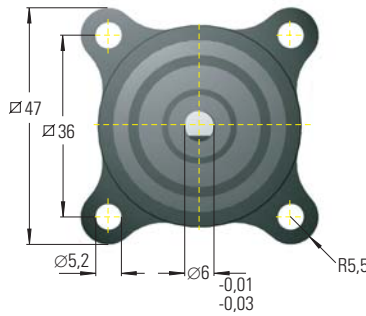


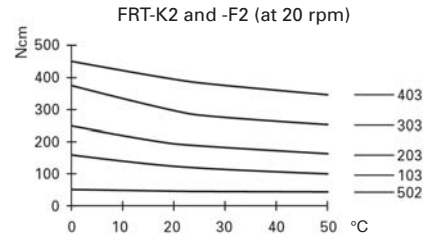
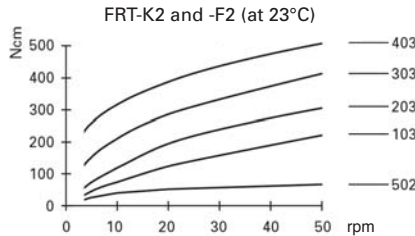
FRT/FRN-K2 and FRT/FRN-F2



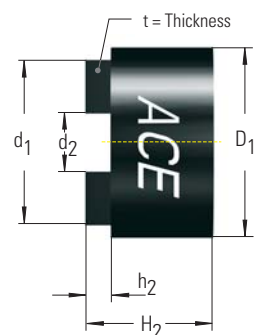
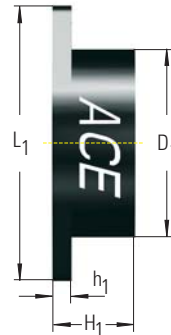
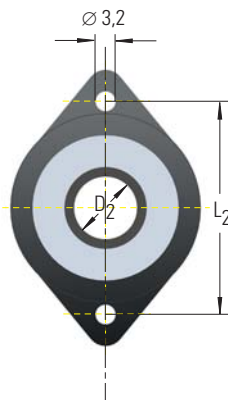
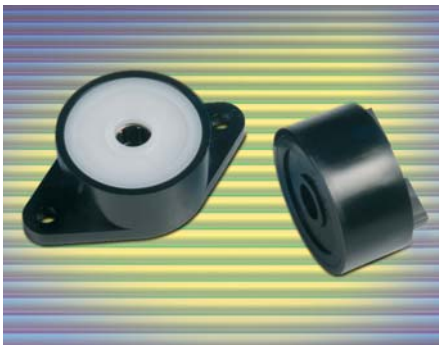
Models available FRT-F2 . . .

Model	Bi-directional damping	Right-hand damping clockwise	Left-hand damping anti-clockwise	Damping torque Ncm (Nominal 20 rpm, 23°C)
FRT-K2-502		FRN-K2-R502	FRN-K2-L502	50 +/- 10
FRT-K2-103		FRN-K2-R103	FRN-K2-L103	100 +/- 20
FRT-F2-203		FRN-F2-R203	FRN-F2-L203	200 +/- 40
FRT-F2-303		-	-	300 +/- 80
FRT-F2-403		-	-	400 +/- 100

Material: Polycarbonate plastic
Temperature range: 0°C to 50°C
Weight max.: 0.116 kg



FFD



Models available FFD- . . .

Flange Type

Standard Type

Damping Option*	Model	Damping torque in Nm	Dimensions		Flange Type				Standard Type				
			D ₁	D ₂	H ₁	h ₁	L ₁	L ₂	d ₁	d ₂	H ₂	h ₂	t
Type S	FFD-25	0.1 / 0.5 / 1.0	25	6	13	3	42	34	21	6.2	16	4	4
	FFD-28	0.1 / 0.5 / 1.0	28	8	13	3	44	36	24	8.2	16	4	4
	FFD-30	0.1 / 0.5 / 1.0 / 1.5	30	10	13	3	46	38	26	10.2	16	4	4
Type W	FFD-25	1.0 / 1.5 / 2.0	25	6	19	3	42	34	21	6.2	22	4	4
	FFD-28	1.0 / 1.5 / 2.0	28	8	19	3	44	36	24	8.2	22	4	4
	FFD-30	1.5 / 2.0 / 2.5 / 3.0	30	10	19	3	46	38	26	10.2	22	4	4

* Damping clockwise or anti-clockwise

Material: Polycarbonate plastic
Temperature range: -10°C to 60°C
Rotational speed max.: 30 rpm
Cycle rate max.: 13 cycles per min.
Recommended Shaft details: $\varnothing^{+0}_{-0.03}$

Ordering Example

Friction Damper _____
 Body \varnothing _____
 Mounting Style (Flange = F, Standard = S) _____
 Damping Option (S or W) _____
 Damping Direction (right = R, left = L) _____
 Damping torque see chart _____

FFD-25-FS-L-102

Damping torque

102 = 0.1 Nm
 502 = 0.5 Nm
 103 = 1.0 Nm
 153 = 1.5 Nm
 203 = 2.0 Nm
 253 = 2.5 Nm
 303 = 3.0 Nm