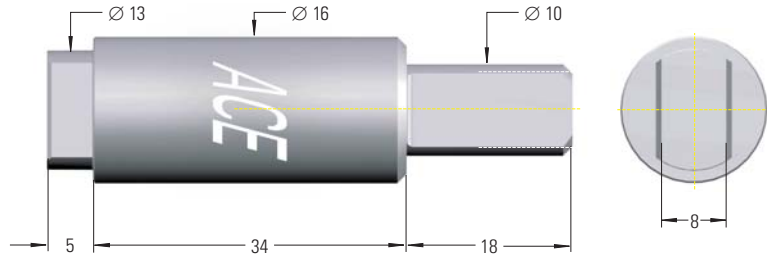
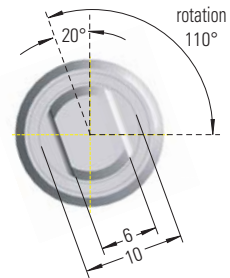


FYN-U1



Models available FYN-U1 . . .

Model	Right-hand damping (clockwise)	Left-hand damping (anti-clockwise)	Damping torque Ncm	Return Damping torque Ncm
FYN-U1-R203		FYN-U1-L203	200	40
FYN-U1-R253		FYN-U1-L253	250	40
FYN-U1-R303		FYN-U1-L303	300	80



Material: Zinc diecast

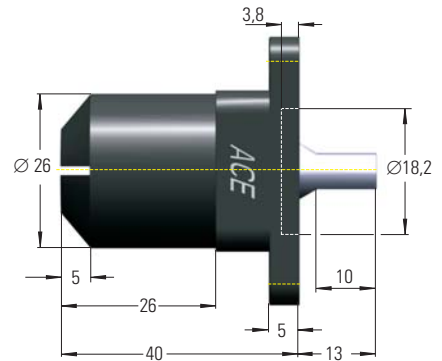
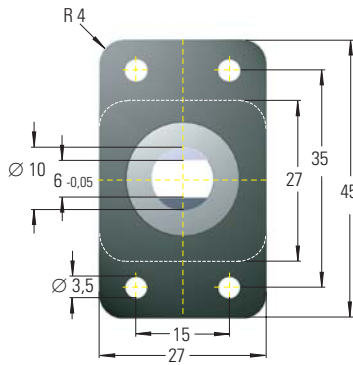
Temperature range: -5°C to 50°C

Weight: 0.04 kg

Max. Rotation angle: 115°

Do not use damper as final end stop.
Fit external mechanical stops at each end of travel.

FYN-K1



Models available FYN-K1 . . .

Model	Right-hand damping (clockwise)	Left-hand damping (anti-clockwise)	Damping torque Ncm
FYN-K1-R		FYN-K1-L	400

Material: Black polycarbonate

Temperature range: -5°C to 50°C

Max. Rotation angle: 108°

Return travel damping: 100 Ncm

Weight: 0.035 kg

Do not use damper as final end stop.
Fit external mechanical stops at each end of travel.

