

# Hydraulic miniature accumulators type AC

The hydraulic miniature accumulators type AC are available in two sizes. They are used for compensating temperature dependent volume variations, possible losses due to leakage, as source of pressurized oil for emergency actuations, or to dampen oscillations in circuits with pressure difference controlled devices.

It is possible to use a version with shut-off valve for applications with a system pressure above  $4 \times p_0$  (gas filling pressure).

These accumulators may be integrated in differing hydraulic systems e.g. hydraulic clamping systems, in various installation positions by means of a wide range of fittings.

**Nomenclature:** Miniature diaphragm accumulator

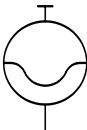
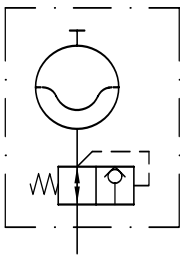
**Design:** Screw-in version

**$p_{max}$ :** 400...500 bar

**$V_0$ :** 13 or 40 cm<sup>3</sup>



## Basic types and general parameters

Basic type and size	$V_0$ (cm <sup>3</sup> )	Pressure $p_{max}$ (bar)	Max. gas filling pressure $p_0$ (bar)	Connection thread (BSPP)	Symbol
AC 13-1/4	13	500	250	G 1/4	
ACS 13-1/4 <sup>1)</sup>	13	500	250	G 1/4	
AC 40-1/4	40	400	250	G 1/4	

<sup>1)</sup> Version with shut-off valve

## Additional versions

- Prolongations to increase the distance
- Fittings (see also "Further information")

## Order examples

### ACS 13 - 1/4 - 50/110

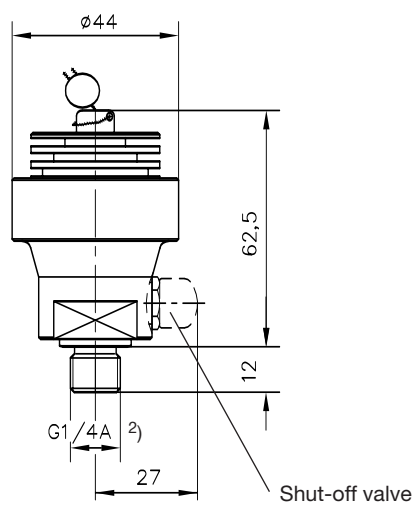
Hydraulic miniature accumulator type ACS, with shut-off valve, size 13, connection thread G 1/4A, gas filling pressure 50 bar, set pressure for the shut-off valve 110 bar

### AC 40 - 1/4 - 150

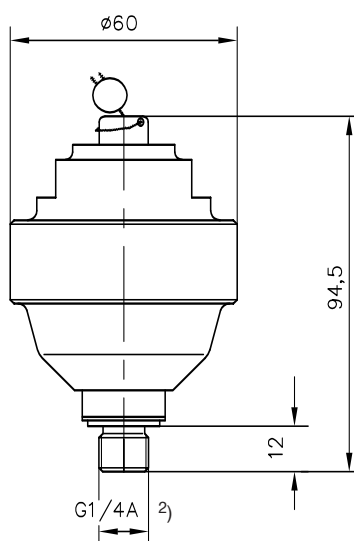
Hydraulic miniature accumulator type AC, size 40, connection thread G 1/4A, gas filling pressure 150 bar

**Dimensions**

**Type AC(S) 13 - 1/4**



**Type AC 40 - 1/4**



Basic type	m (kg)
AC(S) 13	0.3
AC 40	0.65

2) BSPP

All dimensions in mm, subject to change without notice!

**Further information**

- Hydraulic miniature accumulators type AC
- Fittings type X84
- Pressure gauges

- D 7571
- D 7077
- D 7077

- See also section “Devices for special applications” (Hydraulic clamping systems)

For page and section of the devices additionally listed, see type index