

# Pressure switches type DG

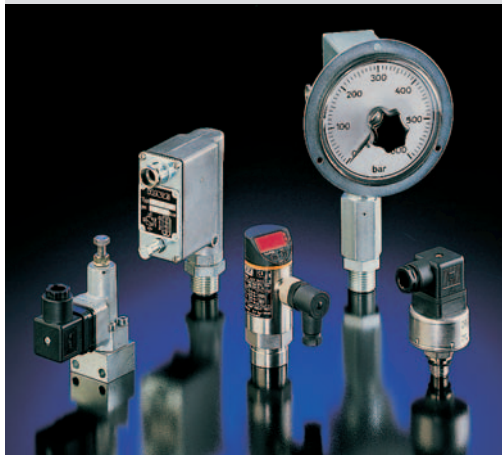
Electro-hydraulic pressure switches are devices, which, when set under pressure close or open electrical contacts. They are widely used in applications where it is intended that, once a pre-set pressure is achieved and exceeded, an electrical switching command or signal should be triggered for further working cycles.

Many different versions (with pressure setting on a dial, with main and secondary switch, screw-on pressure switches) enable their use in many applications.

There is a design related difference of 8 ... 20 % between the upper switching point and the lower switching point. Only the electronic

pressure switch type DG 5 E gives provision to select two independant switch points and to set the hysteresis.

Type DT is an analogous pressure sensor.



**Nomenclature:** Spring loaded pressure switch (piston type)

**Design:** Manifold mounting version  
Screw-in version  
Version for pipe connection

**P<sub>max</sub>:** 4 ... 700 bar

**P<sub>max</sub>:** 0 ... 1000 bar

## Basic types and general parameters

Basic type and size	Brief description	Adjustable pressure p <sub>max</sub> (bar) <sup>1)</sup>	Connection thread (BSPP)	Symbol
DG 1R	Adjustment via turn-knob at the dial	20 ... 600	G 1/2 or G 1/4 A	
DG 8	Version with two pressure switches Main switch: Adjustment via turn-knob at the dial Secondary switch: Adjustment via set screw	20 ... 600 and 20 ... 180	G 1/2 or G 1/4 A	
DG 33	Compact design for manifold mounting	200 ... 700	G 1/4 or G 1/4 A <sup>2)</sup>	
DG 34		100 ... 400		
DG 35		20 ... 250		
DG 365		12 ... 170		
DG 364		4 ... 50		
DG 36	4 ... 12			
DG 5 E	Electronic pressure switch with two switch points	0 ... 100 0 ... 250 0 ... 400 0 ... 600	G 1/4	
DT 1	Analogous pressure sensor	0 ... 1000	G 1/4 A	
DT 2		0 ... 600		

<sup>1)</sup> The max. operation pressure of 700 bar is not influenced by the max. set pressure

<sup>2)</sup> For versions with adapter only

**Additional versions**

- Pressure switches with bezel for switch board installation (DG 1)
- Pressure switches with various connection threads or connection pipe (DG 3.)
- Lockable adjustment knob (see also section "Further information")

- Supply voltage 12V DC, 24V DC, 230V AC 50/60 Hz
- Combination with various fittings (see also section "Further information")

**Order examples**

**DG 1 R**

Pressure switch type DG 1, pressure range 40...160 bar

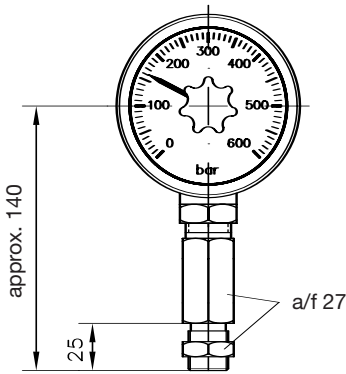
**DG 35**

Pressure switch type DG 3 including plug, pressure range 20...210 bar

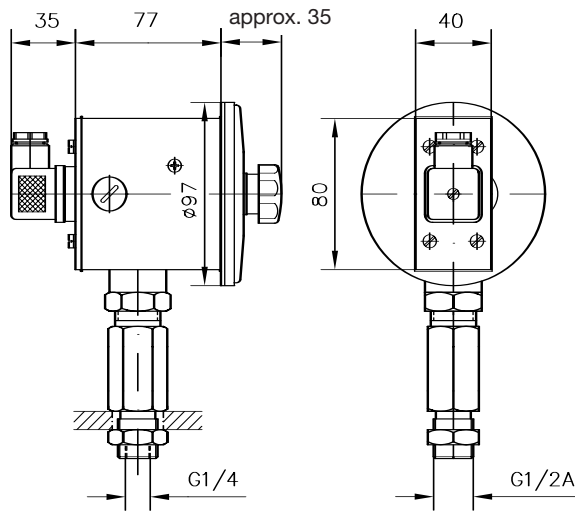
**Dimensions**

**Type DG 1 R**

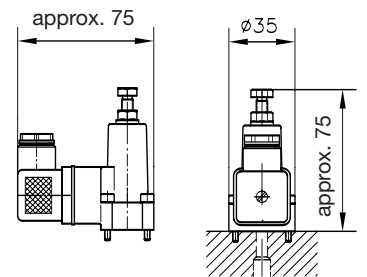
(see order examples)



**Type DG 8**

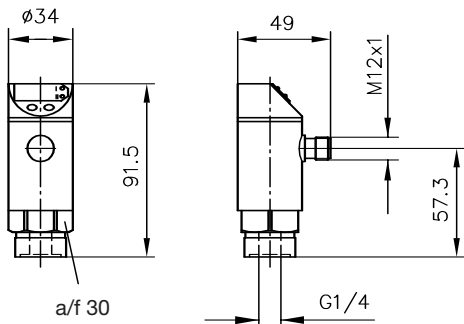


**Type DG 3 .. (see order examples)**

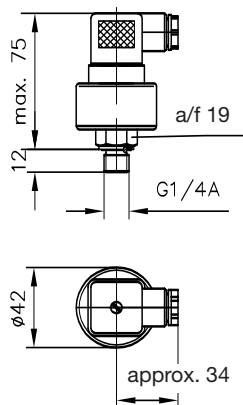


G = BSPP

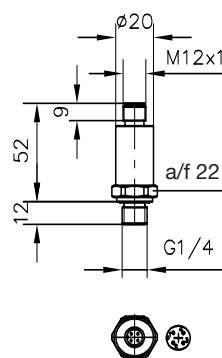
**Type DG 5E**



**Type DT1**



**Type DT 2**



Basic type	m (kg)
DG 1 R	1.3
DG 8	1.35
DG 3..	0.3
DG 5 E	0.25
DT 1	0.15
DT 2	0.70

All dimensions in mm, subject to change without notice!

**Further information**

- Pressure switches type DG
- Fittings type X type X84
- Electronic pressure switch type DG 5E
- Analogous pressure sensor type DT 1 type DT 2

- D 5440
- D 7065
- D 7077
- D 5440 E/1
- D 5440 T
- D 5440 T/1

- See also section "Devices for special applications" (Hydraulics for clamping purposes, Press controls, Devices for up to 700 bar)

For page and section of the devices additionally listed, see type index