

Cast-iron base

with or without T-slots



Material:

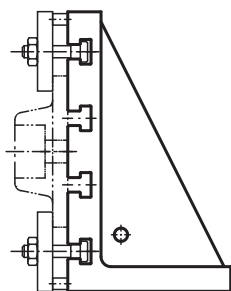
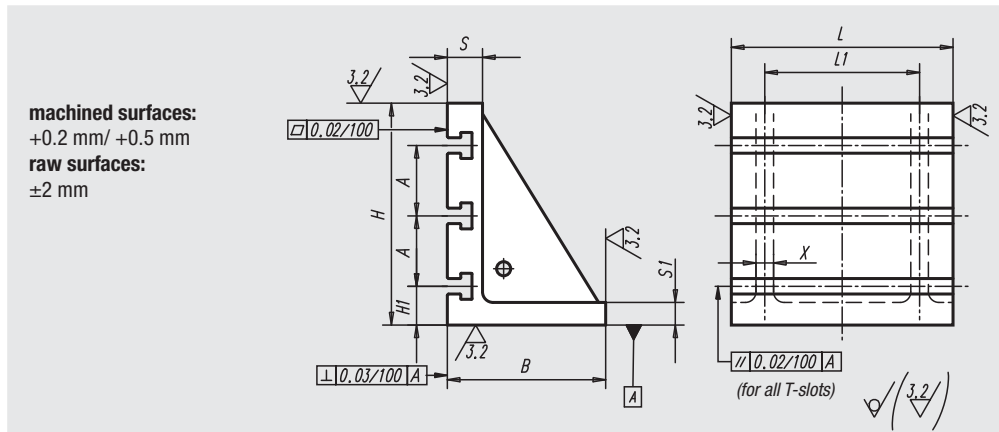
Stabilised GJL 250 grey cast iron

Sample order:

nln 01250-3203701

On request:

Other slot widths available.



Order No. without T-slots	Order No. with T-slots	L	L1	B	H	H1	S	S1	A	X	T-slot	Approx. weight kg
01250-100125	-	100	40	100	125	-	20	10	-	10	-	3,0
01250-125160	-	125	100	100	160	-	20	10	-	10	-	4,4
01250-200250	-	200	120	125	250	-	30	15	-	15	-	15,0
01250-250300	-	250	200	150	300	-	40	20	-	20	-	30,0
01250-320370	01250-3203701	320	280	200	370	-/65	50	25	-/80	25	-/14	61,0
01250-400450	01250-4004501	400	280	265	450	-/75	60	30	-/100	30	-/18	114,0
01250-500550	01250-5005501	500	360	315	550	-/75	70	35	-/100	35	-/18	203,0
01250-630640	01250-6306401	630	520	350	640	-/80	80	40	-/160	35	-/22	326,0
01250-700750	01250-7007501	700	600	400	750	-/135	80	40	-/160	40	-/22	428,0