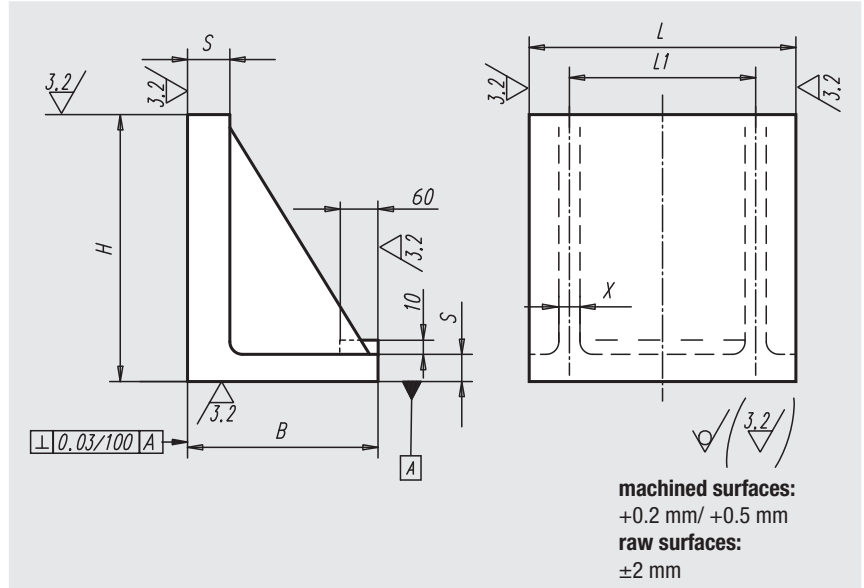


Aluminium angle plates



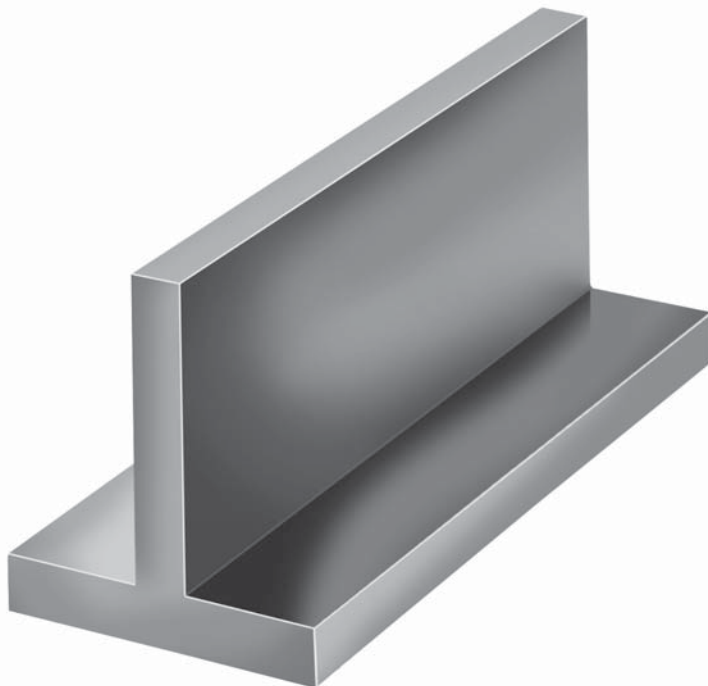
Material:
Aluminium (Rm 330 N/mm², 110 HB).

Sample order:
nlm 01252-260250

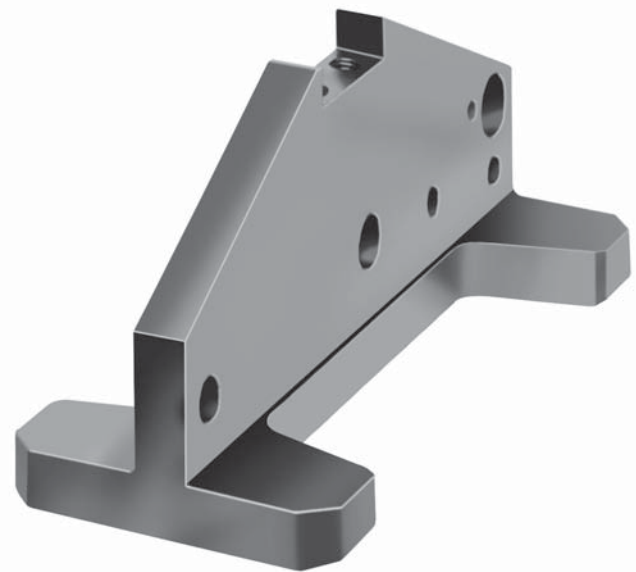


Order No.	B	H	L	L1	S	X	Approx. weight kg
01252-260250	150	250	260	155	20	15	6,6
01252-335355	225	355	335	200	25	20	16,1
01252-410450	270	450	410	245	30	15	27,0

Engineering and producing cost-effectively with norelem:



norelem basic element: T-profile



Finished product