

# Double angle plates

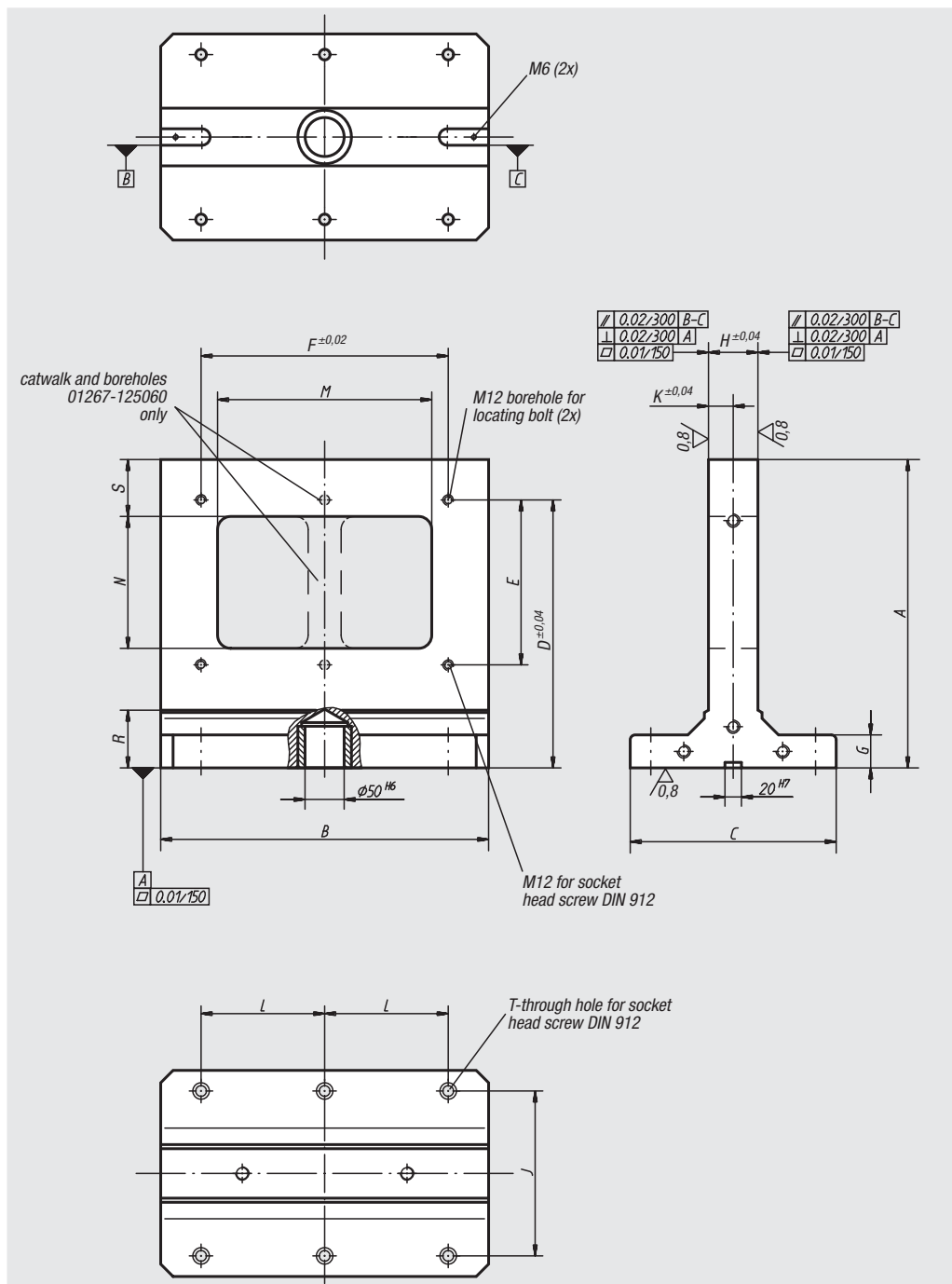


**Material:**  
Meehanite casting GJL 300

**Surface finish:**  
Reference surfaces precision-machined

**Sample order:**  
nlm 01267-123040

**Note:**  
Base plates 01127 can be positioned and attached to the angle plates on both sides. This allows for a rational exchange of chucks. The angle plates are positioned on both sides using centring bolts 03110 and slot guide blocks 03240. Lifting eye bolts are supplied for transportation.



Order No.	A	B	C	D	E	F	G	H	J	K	L	M	N	R	S	T	Approx. weight kg
01267-123040	374	398	250	325	200	300	40	60	200	30	150	260	160	70	69	M12	64
01267-124050	474	498	250	425	300	400	40	70	200	35	200	360	260	70	69	M12	100
01267-125060	574	598	300	525	400	500	50	70	200	35	200	458	360	75	70	M16	153