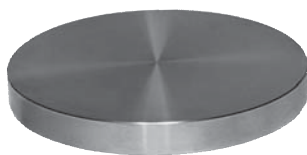


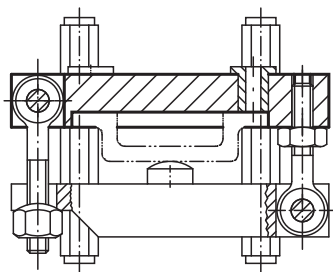
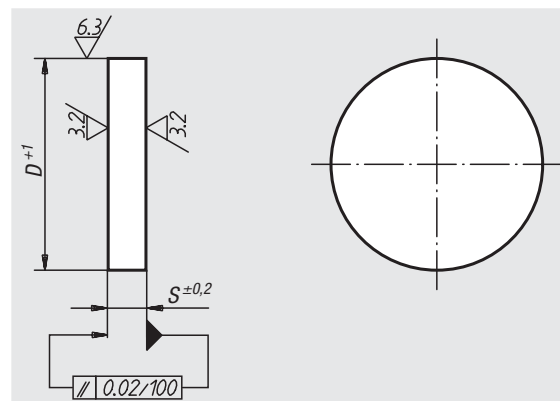
# Circular plates

steel



**Material:**  
Tempered steel 1.1181

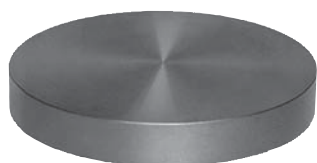
**Sample order:**  
nlm 01280-06X25  
(Please also indicate dimension S)



Order No.	S	D	Approx. weight kg, S = 10
01280-01X	16/20/25	140	1,2
01280-02X	16/20/25	180	2,0
01280-03X	16/20/25	220	3,0
01280-04X	16/20/25	280	4,8
01280-05X	20/25/32	355	7,7
01280-06X	25/32	400	9,8
01280-07X	25/32	450	12,4
01280-08X	36	500	15,3

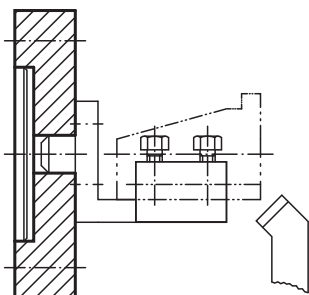
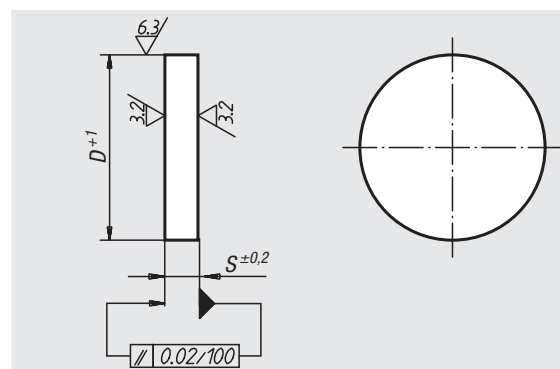
# Circular plates

grey cast iron and aluminium



**Material:**  
Stabilised GJL 250 grey cast iron or EN AW-7075

**Sample order:**  
nlm 01320-208



Order No. grey cast iron	Order No. Aluminium	D	S
01320-01	01320-201	63	14
01320-02	01320-202	80	20
01320-03	01320-203	100	20
01320-04	01320-204	125	25
01320-05	01320-205	160	32
01320-06	01320-206	200	32
01320-07	01320-207	250	36
01320-08	01320-208	315	40
01320-09	01320-209	400	45
01320-10	01320-210	500	50