

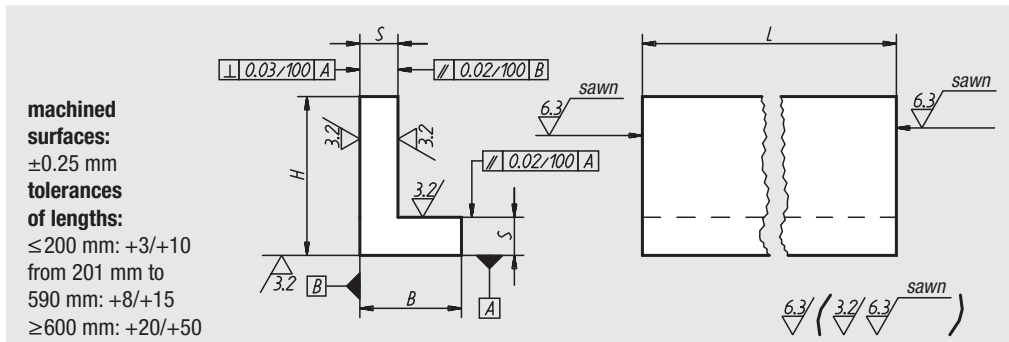
Unequal L-shaped profiles

grey cast iron or aluminium

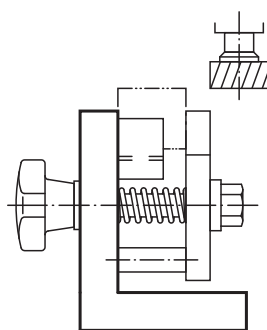


Material:
Stabilised GJL 250 grey cast iron or EN AW-7075

Sample order:
nlm 01440-03X600
(Please also indicate dimension L)



Order No. grey cast iron	Order No. Aluminium	L = length	B	H	S
01440-01X	01440-201X	150/300	32	50	12
01440-02X	01440-202X	150/300	40	63	12
01440-03X	01440-203X	200/300/600/800	63	80	16
01440-04X	01440-204X	200/300/600/1000	80	100	20
01440-05X	01440-205X	200/300/600/1000	100	125	20
01440-06X	01440-206X	200/300/600	125	160	25
01440-07X	01440-207X	200/300/600	160	200	32
01440-08X	01440-208X	300/600	200	250	36
01440-09X	01440-209X	300/600	250	315	36



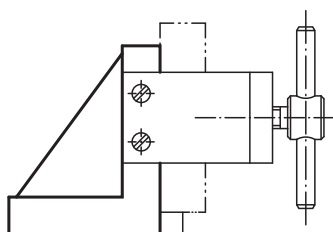
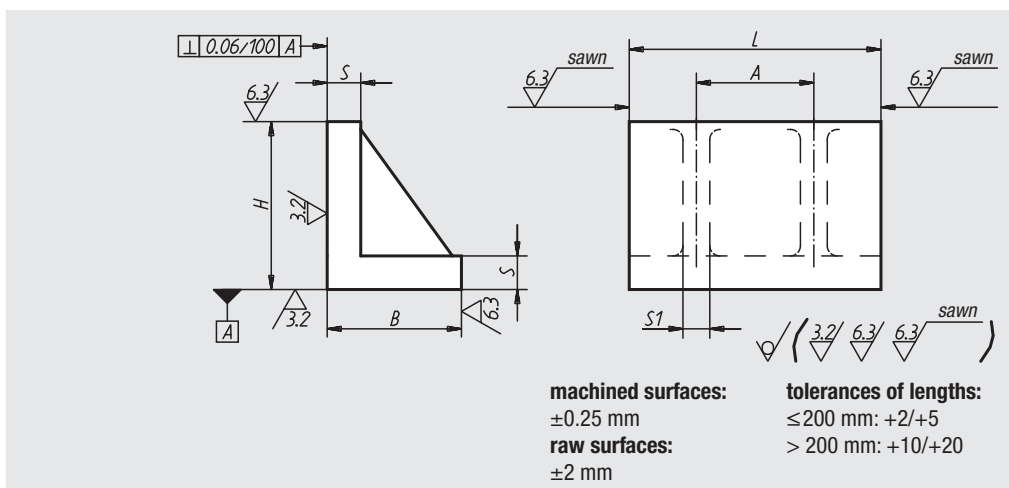
Cast-iron ripped unequal L-shaped profiles



Material:
Stabilised GJL 250 grey cast iron

Sample order:
nlm 01520-04X400
(Please also indicate dimension L)

Note:
Only one rip with lengths 150 mm and 200 mm.



Order No.	L = length	B	H	S	S1	A	Approx. weight kg, L/100
01520-01X	150/300	80	100	20	16	160	2,50
01520-02X	150/300	100	125	22	18	160	3,70
01520-03X	150/300	125	160	25	20	160	5,50
01520-04X	200/400	160	200	32	22	200	8,45
01520-05X	200/400	200	250	36	25	200	12,50