

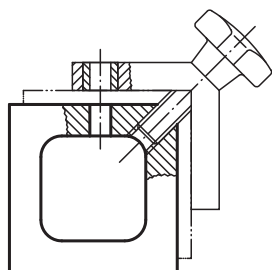
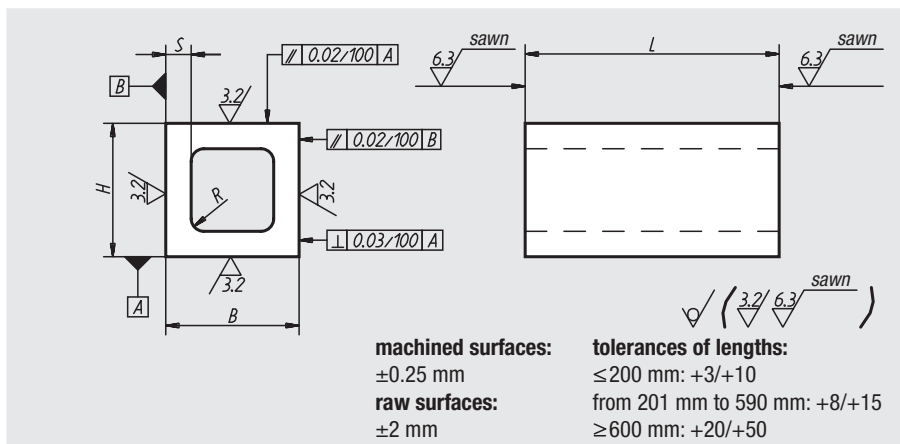
Square hollow profiles

grey cast iron



Material:
Stabilised GJL 250 grey cast iron

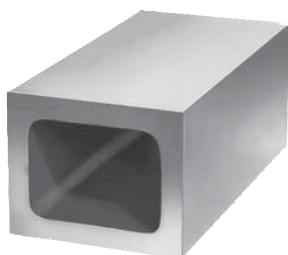
Sample order:
nlm 01740-06X200
(Please also indicate dimension L)



Order No.	L = length	B	H	≈ S	R	Approx. weight kg, L/100
01740-04X	100/200	63	63	12	6	1,800
01740-05X	200/400	80	80	18	8	3,750
01740-06X	200/400	100	100	20	10	4,700
01740-07X	200/400/600	125	125	22	12	6,650
01740-08X	200/300/600	160	160	25	16	10,000
01740-09X	200/300/600	200	200	28	20	14,450
01740-12X	600	250	250	36	20	22,800
01740-15X	600	315	315	56	20	42,500

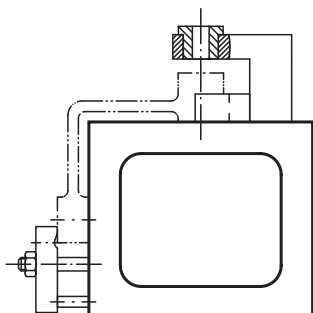
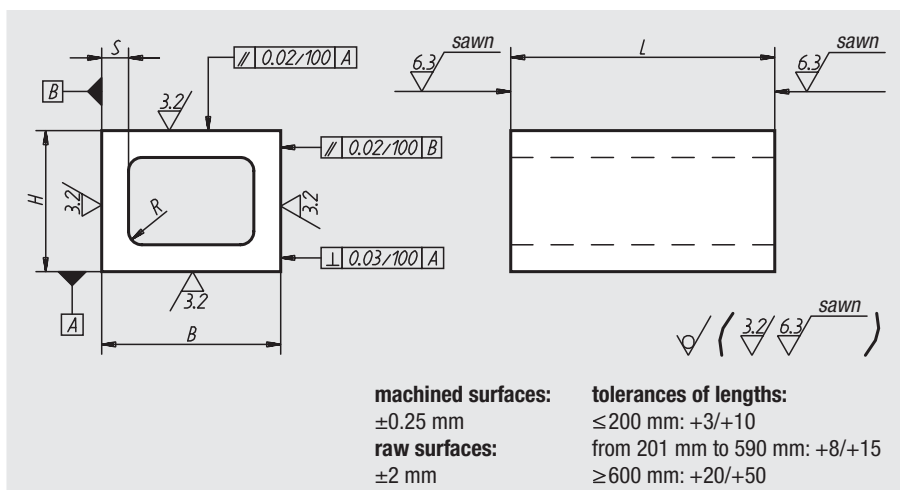
Rectangular hollow profiles

grey cast iron



Material:
Stabilised GJL 250 grey cast iron

Sample order:
nlm 01760-04X300 (Please also indicate dimension L)



Order No.	L = length	B	H	≈ S	R	Approx. weight kg, L/100
01760-01X	100/200	80	63	12	6	2,100
01760-02X	200/400	100	80	16	8	3,500
01760-03X	200/300/600	160	100	22	10	7,250
01760-04X	200/300/600	200	160	25	16	11,350
01760-05X	300/600	250	200	28	20	16,170