

# Four face angle plates

grey cast iron



**Material:**

Grey cast iron GJL 250

**Surface finish:**

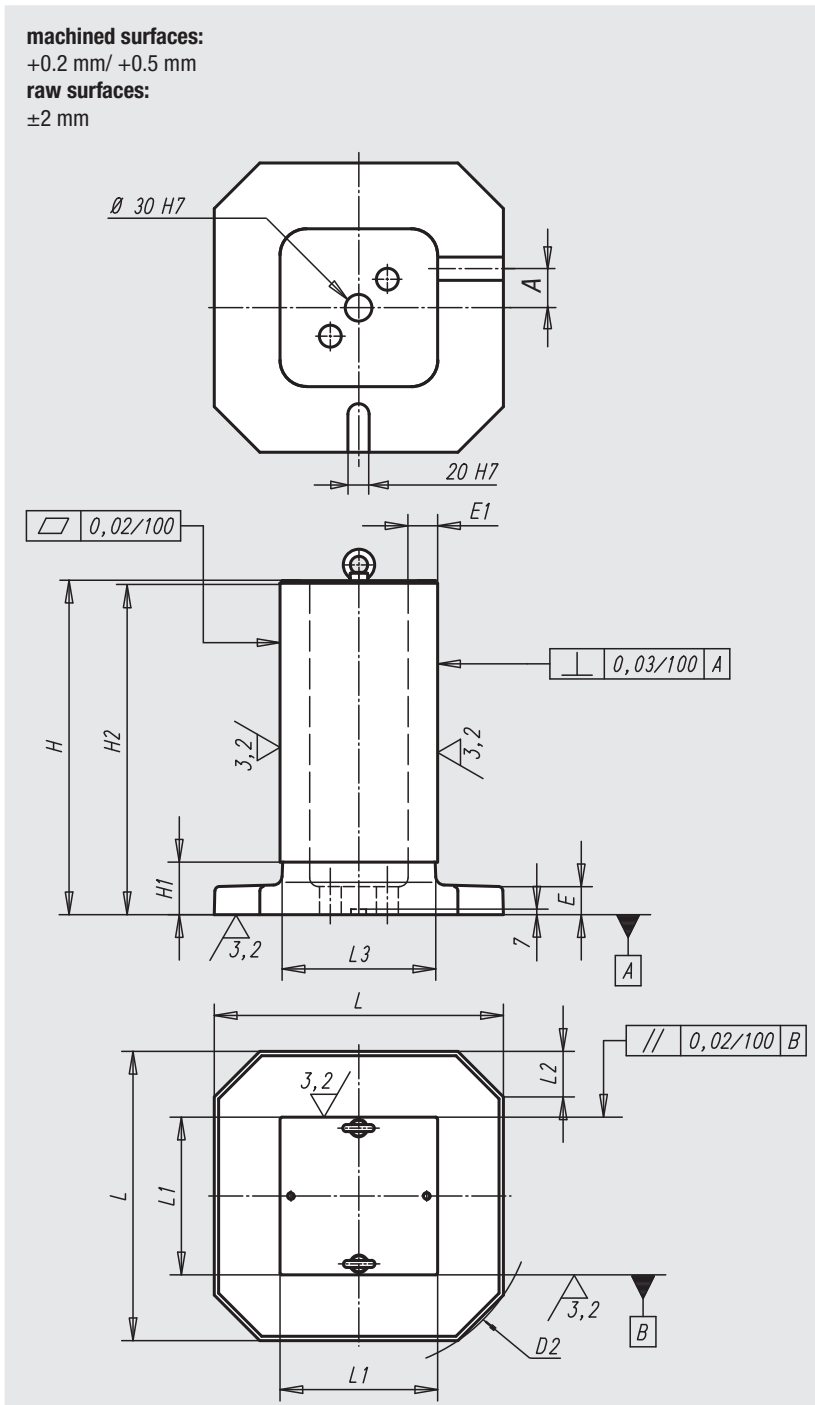
Reference surfaces precision-machined

**Sample order:**

nIm 01852-320180

**Note:**

Lifting Eye Bolts are standard equipment.  
A cover prevents the cavities of the Grid Plates from filling up with chips.



Order No.	A	D2	E	E1	H	H1	H2	L	L1	L2	L3	Approx. weight kg
01852-320180	32,5	400	32	25	381	80	378	330	180	52	174	62
01852-400270	50	500	32	32	485	60	482	410	270	62	262	153
01852-500320	55	630	40	40	603	100	600	510	320	70	312	270
01852-630360	70	800	40	45	753	100	750	640	360	80	350	426
01852-800500	80	1000	50	50	903	110	900	810	500	110	490	894