

# Feet

with threaded pin, DIN 6320 (Edition 1971)


**Material:**

Tempered steel 1.1172.

**Surface finish:**

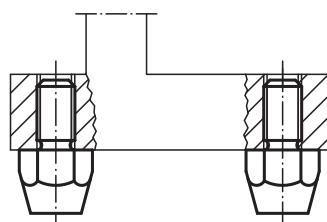
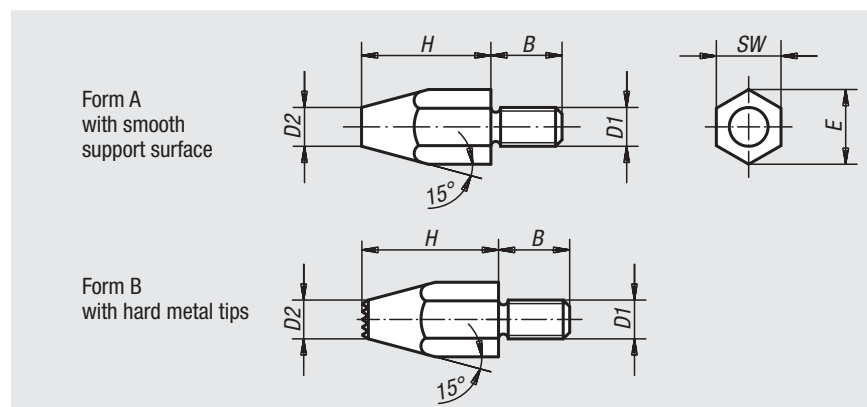
Black oxide finish.

**Sample order:**

nIm 02030-10

**Note:**

Thrust bolts 02010 and 02020 can also be used as feet.



Order No.	Form	D1	D2	H	B	E	SW	Approx. weight kg
02030-06	A	M6	8	10	11	11,5	10	0,008
02030-061	A	M6	6	20	11	11,5	10	0,013
02030-08	A	M8	10	15	13	15	13	0,018
02030-081	A	M8	9	30	13	15	13	0,033
02030-10	A	M10	13	20	16	19,6	17	0,044
02030-101	A	M10	13	40	16	19,6	17	0,080
02030-12	A	M12	15	25	20	21,9	19	0,070
02030-121	A	M12	15	50	20	21,9	19	0,126
02030-083	B	M8	11,5	15	13	15	13	0,018
02030-123	B	M12	15	25	20	21,9	19	0,070