

Toggle locators

swivel 12°



Material:

Body in tempered steel.

Ball in ball-bearing steel 1.3505.

Surface finish:

Body heat-treated, ball hardened (50 - 55 HRC).

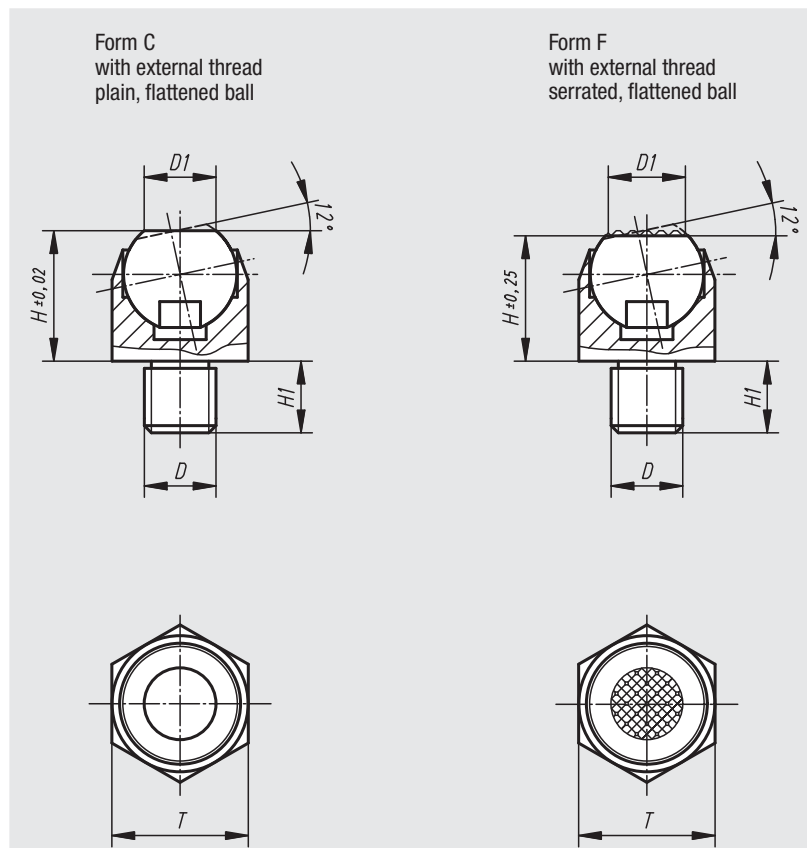
Sample order:

nIm 02080-106

Note:

The toggle locators serve as stops, supports and pressure pads in the fixture construction. They can also be installed in existing clamping devices, e.g. „arness“ clamping device.

Ball is protected against torsion.



Order No. Form C	Order No. Form F	D	D1	H	H1	Ball-Ø	T	Load capacity max. kN (static load only)	Approx. weight kg
02080-106	02080-306	M6	6,7	13	7	10	13	10	0,015
02080-108	02080-308	M8	6,7	13	8	10	13	10	0,020
02080-110	02080-310	M10	10	18	10	16	19	25	0,035
02080-112	02080-312	M12	10	18	12	16	19	25	0,045
02080-116	02080-316	M16	20	27	16	24	30	90	0,160
02080-120	02080-320	M20	20	27	20	24	30	90	0,180