

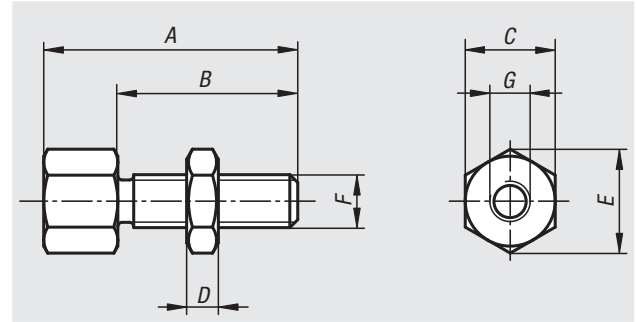
Jack screws



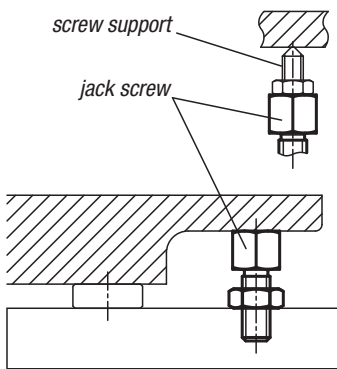
Material:
Tempered steel.

Surface finish:
Black oxide finish.

Sample order:
nlm 02155-0803006



Adjustable support that accepts
different tops.



Order No.	A	B	C	D	E	F	G	Approx. weight kg
02155-0803006	30	20	13	5	14,4	M8	M6x6	0,020
02155-0804006	40	30	13	5	14,4	M8	M6x6	0,025
02155-1003808	38	24	17	6	18,9	M10	M8x8	0,045
02155-1004808	48	34	17	6	18,9	M10	M8x8	0,050
02155-1205110	51	33	22	7	24,5	M12	M10x10	0,095
02155-1206610	66	48	22	7	24,5	M12	M10x10	0,110
02155-1606212	62	40	27	10	30,1	M16	M12x12	0,185
02155-1607712	77	55	27	10	30,1	M16	M12x12	0,210