

# Bolt stops

with flat surface, in steel

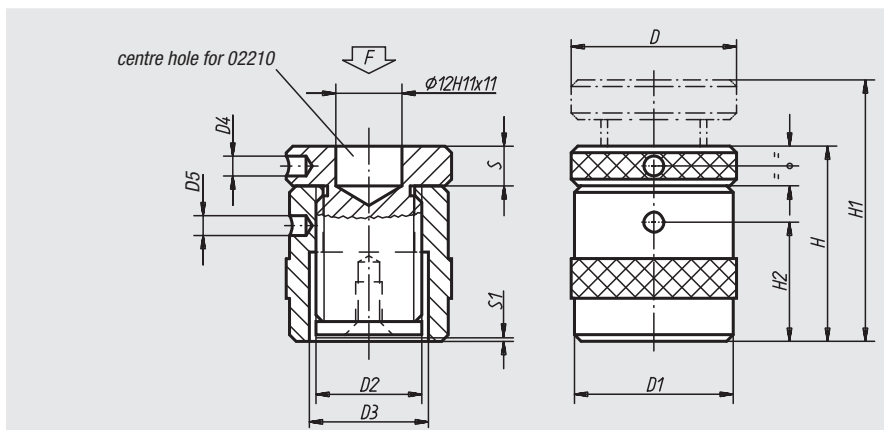
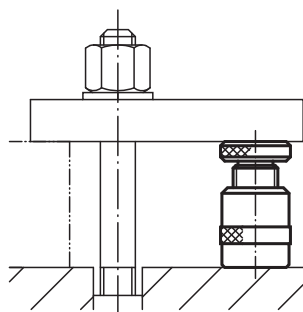


**Material:**  
Tempered steel

**Surface finish:**  
Painted, trapezoidal thread - self-locking, spindle has end lock

**Sample order:**  
nlm 02170-02

**Note:**  
The version 02170-01 has no centring hole  $\varnothing 12$ .



Order No.	D	D1	D2	D3	D4	D5	H	H1	H2	S	S1	F max. kN	Approx. weight kg
02170-01	31	31	Tr 20 x 4	23	4	4	38	52	23	8	2	15	0,190
02170-015	50	49	Tr 30 x 4	36	6	6	42	52	24	12	2	60	0,550
02170-02	50	49	Tr 30 x 4	36	6	6	50	72	30	12	0,5	60	0,620
02170-03	50	49	Tr 30 x 4	36	6	6	71	102	43	16	1,5	60	0,900
02170-04	65	70	Tr 40 x 7	43	6	6	100	140	58	25	2,5	100	2,635
02170-05	70	80	Tr 50 x 8	55	6	6	140	212	90	30	4	170	4,600
02170-06	80	100	Tr 65 x 10	70	6	8	190	300	126	34	5	350	9,000

# Bolt stops

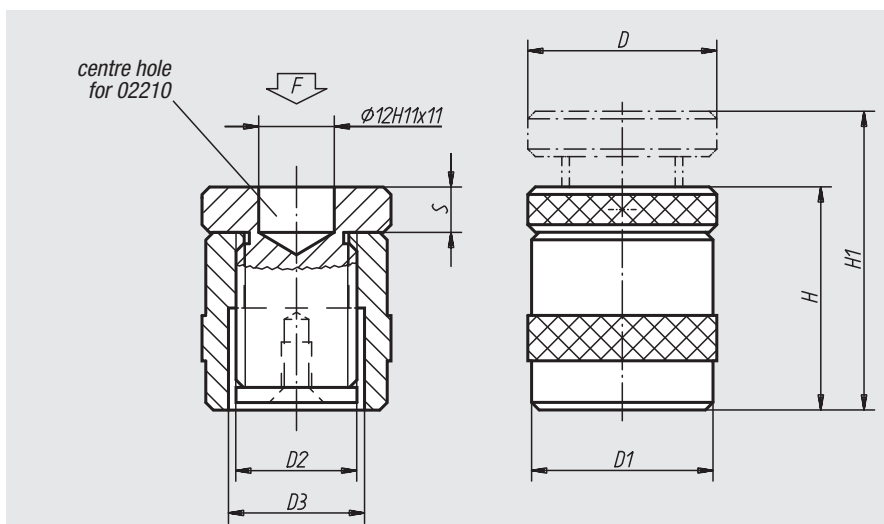
with flat surface, in aluminium



**Material:**  
Aluminium (400 N/mm<sup>2</sup> tensile strength); spindle in tempered steel

**Surface finish:**  
Self-locking trapezoidal thread, spindle has an integral brake

**Sample order:**  
nlm 02180-01



Order No.	D	D1	D2	D3	H	H1	S	F max. kN	Approx. weight kg
02180-01	50	50	Tr 30 x 4	36	42	52	12	30	0,370
02180-02	50	50	Tr 30 x 4	36	50	70	12	30	0,430
02180-03	50	50	Tr 30 x 4	36	70	100	12	30	0,600