

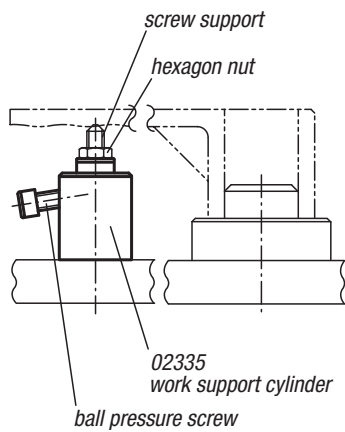
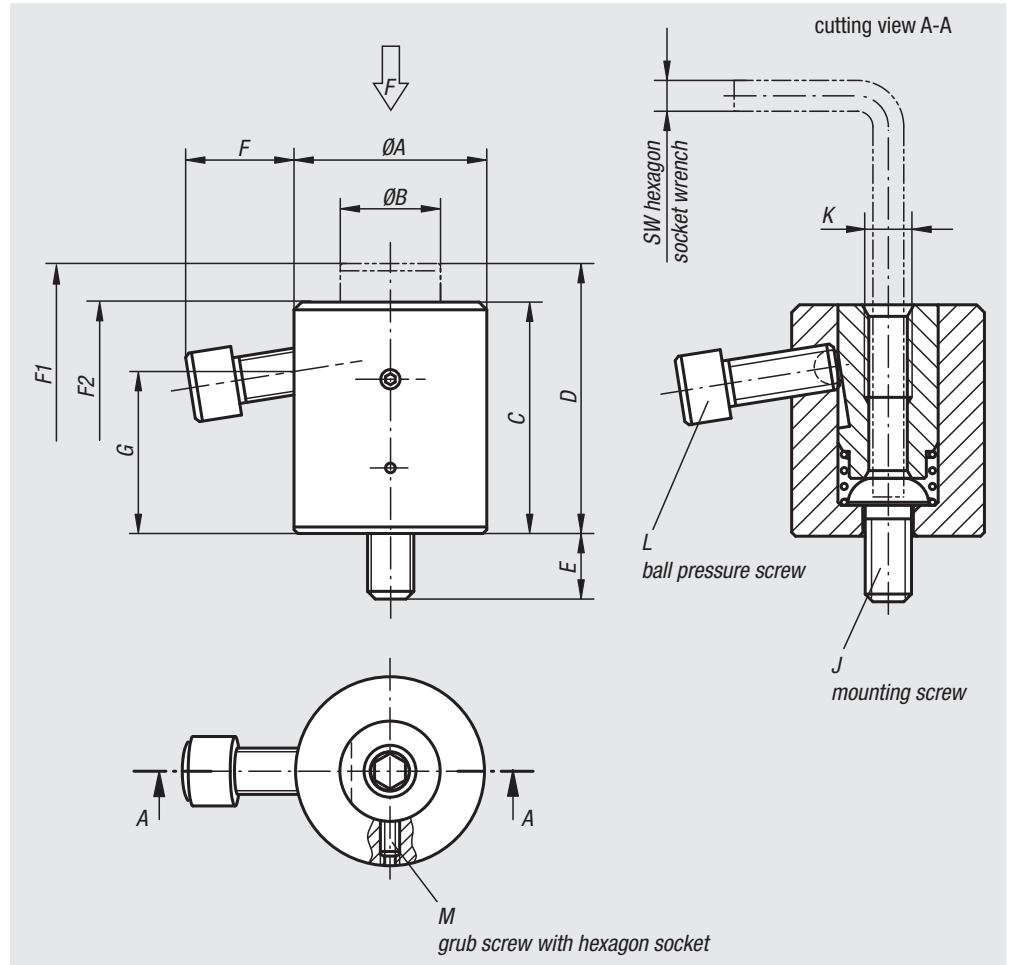
Work support cylinders



Material:
Tempered steel

Surface finish:
Base body black oxide finish;
piston hardened and black oxide finish

Sample order:
nlm 02335-06039



Order No.	A	B	C	D	E	F	G	J	K	L	M	SW	F N	Spring force initial pressure F1 approx. N	Spring force final pressure F2 approx. N	Approx. weight kg
02335-06039	28	14	33	39	10	13,1	22,2	M6	M6x12	M6x16	M4x8	4	4000	10	22	0,150
02335-08052	35	19	42	52	14	17,2	27,5	M8	M8x16	M8x20	M4x8	5	6000	10	27	0,300
02335-12070	50	26	60	70	16	28,1	42,1	M12	M12x24	M12x30	M5x12	8	9000	15	30	0,865
02335-16080	60	33	70	80	22	26,6	47,4	M16	M16x32	M12x30	M5x15	10	9000	15	35	1,390

01000 02000 03000 04000 05000 06000 07000 08000 09000 20000 21000 22000 23000