

Spacing elements


Material:

Steel

Surface finish:

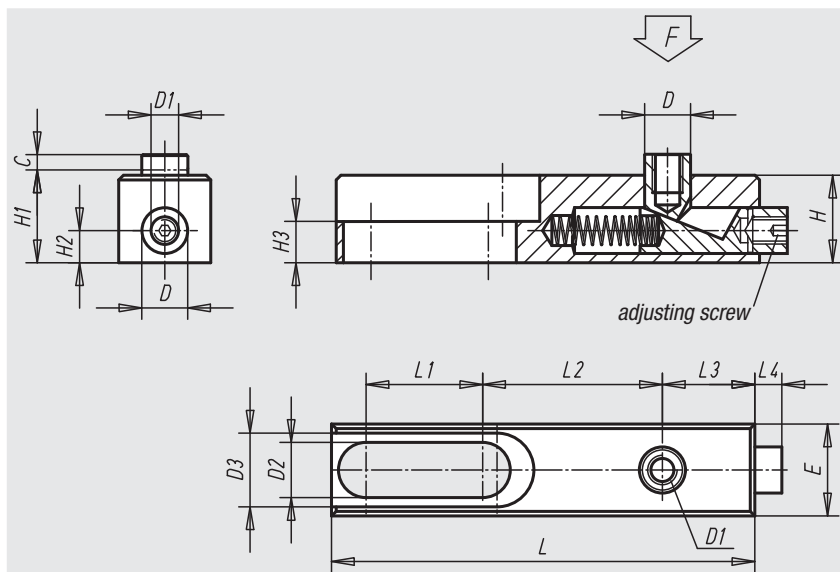
Case-hardened, black oxide finish and ground

Sample order:

nIm 02360-006

Note:

The support element is used for support in milling, drilling, planing and grinding work, in order to prevent the workpiece from sliding or moving away.



Order No.	C	D	D1	D2	D3	E	H	H1	H2	H3	L	L1	L2	L3	L4	F kN	Approx. weight kg
02360-006	4	10	M6	8,2	16,2	20	19	19,5	7	9	92	25,5	39	20	6	3	0,2
02360-010	6	16	M10	12,5	24,4	30	30	31	10	10	149	44	61	32	11	15	0,6