

Compensating clamps



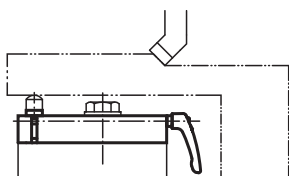
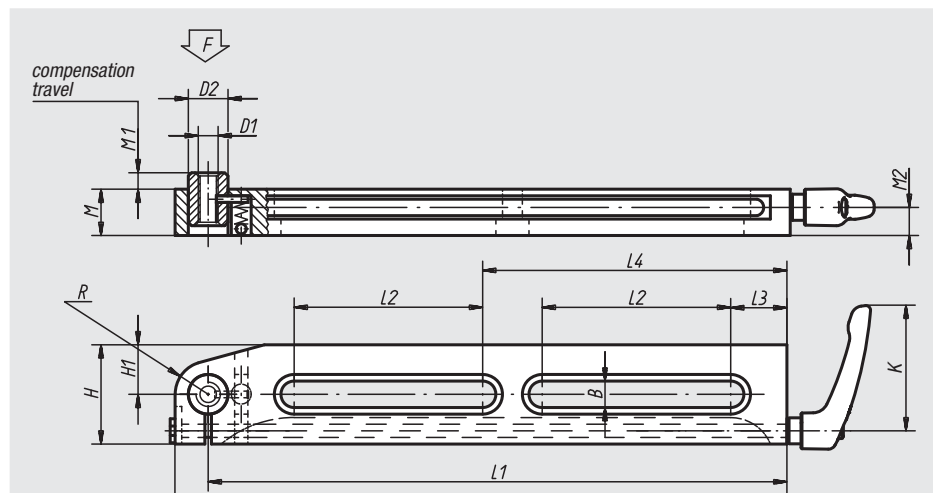
Material:
Steel

Surface finish:
Case-hardened, black oxide finish and ground

Sample order:
nlm 02380-150

Note:
The Non-vibrating support is used for support in milling, drilling, planing and grinding work in order to prevent the workpiece from slipping or moving away. The compensating clamp allows the workpiece to be supported quickly, accurately and without grasping the workpiece underneath. The support bolt contacts with very slight spring force. It can be tightened in any position. Threaded pins of any kind can be screwed into the internal thread of the support bolt, in order to change the support height.

The 02380-075, 02380-150 and 02380-170 non-vibrating supports have only 1 groove.



Order No.	K	L	L1	L2	L3	L4	B	H	H1	D1	D2	M	M1	M2	R	F (N)	Approx. weight kg
02380-75	65	85	75	35	13	-	8,5	30	10	M8	13	19,5	3	11,5	-	500	0,255
02380-150	80	165	150	90	20	-	13	50	25	M10	20	24	6	14	15	2500	1,200
02380-170	110	190	170	100	25	-	17	60	20	M16	26	34	11	21,5	-	5000	2,400
02380-300	80	315	300	100	30	160	13	50	25	M10	20	24	6	14	15	2500	2,130