

Jack screws

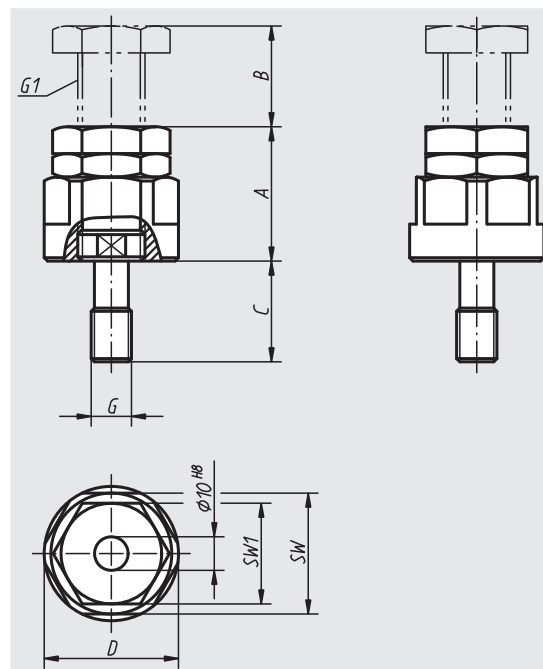


Material:
Tempered steel

Surface finish:
Black oxide finish; adjustment spindle tempered

Sample order:
nlm 02385-16100

Note:
The contact surface can be altered to the conditions using inserts,
see 02387.



Order No.	A min.	B max.	C	D	SW	SW1	G	G1	Approx. weight kg
02385-12040	40	10	30	40	36	30	M12	M20x1,5	0,350
02385-12050	50	20	30	40	36	30	M12	M20x1,5	0,420
02385-12070	70	40	30	40	36	30	M12	M20x1,5	0,570
02385-12100	100	50	30	50	46	36	M12	M24x2	1,350
02385-12150	150	100	30	50	46	36	M12	M24x2	2,100
02385-16040	40	10	30	40	36	30	M16	M20x1,5	0,360
02385-16050	50	20	30	40	36	30	M16	M20x1,5	0,430
02385-16070	70	40	30	40	36	30	M16	M20x1,5	0,580
02385-16100	100	50	30	50	46	36	M16	M24x2	1,360
02385-16150	150	100	30	50	46	36	M16	M24x2	2,110