

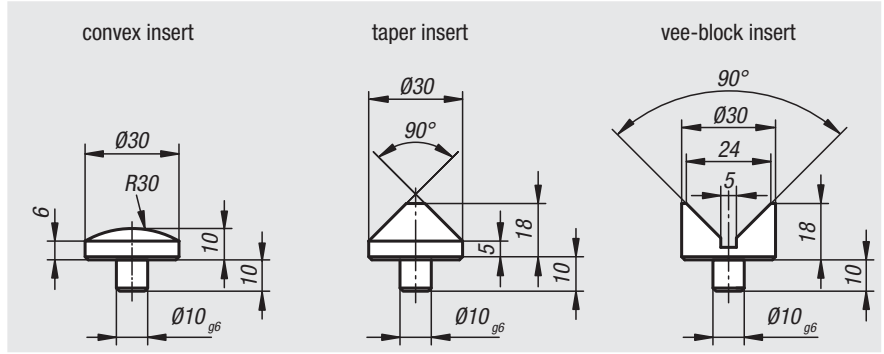
Inserts



Material:
Tempered steel

Surface finish:
Heat-treated at 1100-1200 N/mm² and black oxide finish

Sample order:
nlm 02387-02



Order No.	Surface finish	Approx. weight kg
02387-01	ball insert	0,050
02387-02	conical insert	0,060
02387-03	vee-block insert	0,070