

# Spring plungers

with hexagon socket and ball, stainless steel, LONG-LOK secured



### Material:

Sleeve 1.4305.  
Ball 1.4034.  
Spring 1.4310.

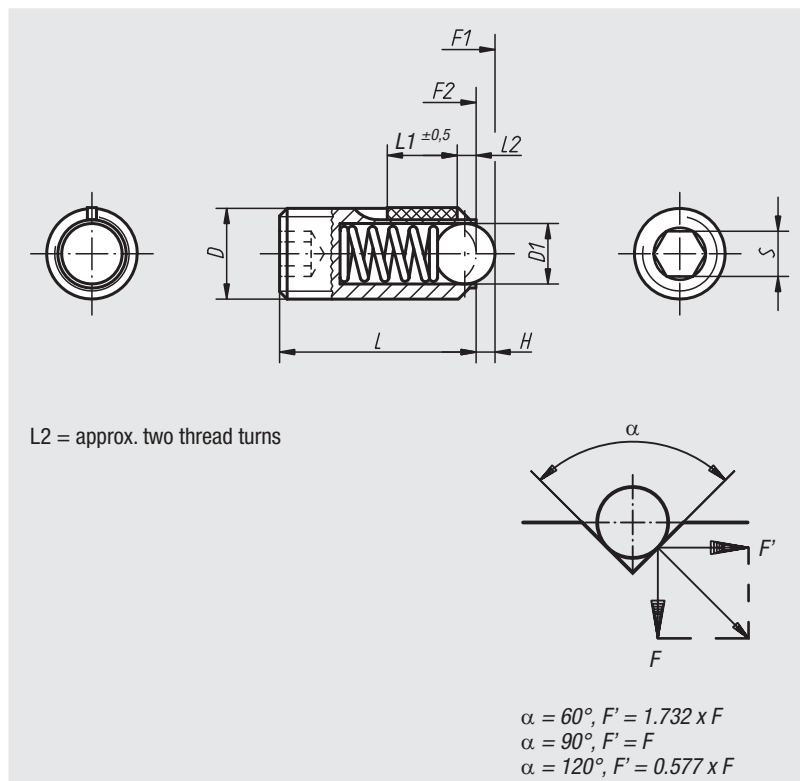
LONG-LOK thread lock in nylon.

### Surface finish:

Natural finish.  
Ball hardened.

### Sample order:

nIm 03036-08



## Spring plungers with hexagon socket and ball, standard spring force, LONG-LOK secured

Order No.	D	D1	L	L1	H	S	Spring force initial pressure F1 approx. N	Spring force final pressure F2 approx. N	Tightening torque approx. Nm	Loosening torque, after third unscrewing approx. Nm	Approx. weight g
03036-03	M3	1,5	9	4	0,5	1,5	1,5	3	0,10	0,07	0,23
03036-04	M4	2,5	10	5	0,8	2	4	10	0,18	0,12	0,46
03036-05	M5	3	14	6	0,9	2,5	6	11	0,12	0,08	1,27
03036-06	M6	3,5	15	7	1	3	9	13	0,44	0,21	2
03036-08	M8	5	18	8	1,5	4	15	30	1,10	0,38	4
03036-10	M10	6	23	9	2	5	20	35	1,30	0,60	8
03036-12	M12	8	26	10	2,5	6	30	55	2,00	1,30	12
03036-16	M16	10	33	14	3,5	8	65	125	3,90	3,00	31

## Spring plungers with hexagon socket and ball, strong spring force, LONG-LOK secured

Order No.	D	D1	L	L1	H	S	Spring force initial pressure F1 approx. N	Spring force final pressure F2 approx. N	Tightening torque approx. Nm	Loosening torque, after third unscrewing approx. Nm	Approx. weight g
03036-203	M3	1,5	9	4	0,5	1,5	5	7	0,10	0,07	0,23
03036-204	M4	2,5	10	5	0,8	2	12	22	0,18	0,12	0,46
03036-205	M5	3	14	6	0,9	2,5	19	30	0,12	0,08	1,27
03036-206	M6	3,5	15	7	1	3	28	40	0,44	0,21	2
03036-208	M8	5	18	8	1,5	4	47	73	1,10	0,38	4
03036-210	M10	6	23	9	2	5	66	100	1,30	0,60	8
03036-212	M12	8	26	10	2,5	6	66	120	2,00	1,30	12
03036-216	M16	10	33	14	3,5	8	90	180	3,90	3,00	31