

Spring plungers

with hexagon socket and pressure pin in POM, stainless steel, LONG-LOK secured



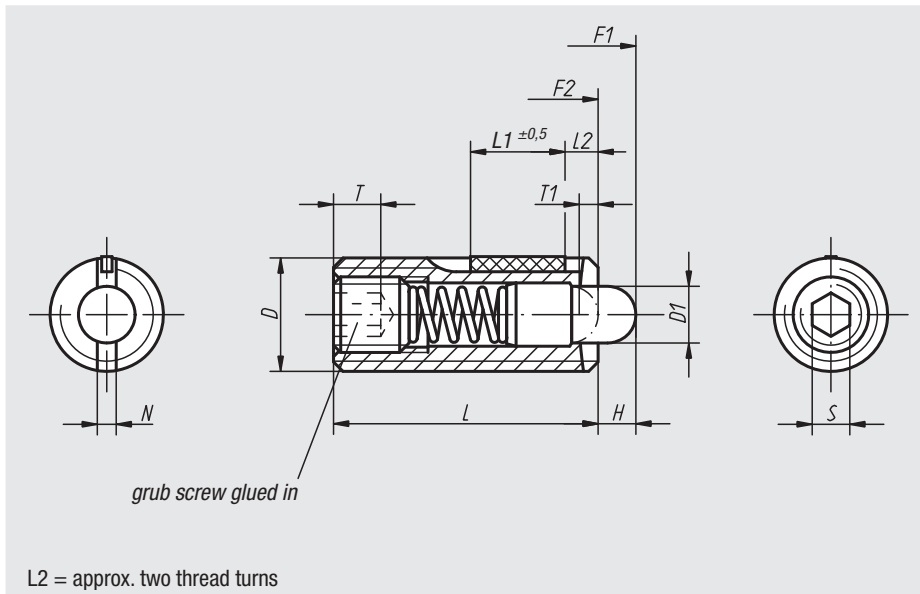
stainless steel

Material:
Sleeve in stainless steel 1.4305.
Pressure pin in POM.
Spring in stainless steel 1.4310.

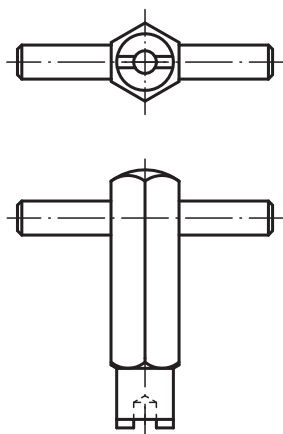
LONG-LOK thread lock in nylon.

Surface finish:
Natural finish.

Sample order:
nlm 03059-12



assembly key



Spring plungers with hexagon socket and pressure pin, standard spring force, LONG-LOK secured

Order No.	D	D1	L	L1	H	T	T1	N	S	Spring force initial pressure F1 approx. N	Spring force final pressure F2 approx. N	Tightening torque approx. Nm	Loosening torque, after third unscrewing approx. Nm	Approx. weight g	Order No. assembly key
03059-05	M5	2,4	18	7	2,3	2	0,8	0,8	1,5	5	17	0,12	0,08	1,3	03040-905
03059-06	M6	2,7	20	7	2,5	2,5	1	1	2	6	17	0,45	0,22	2,5	03040-906
03059-08	M8	3,5	22	8	3	3	1,4	1,2	2,5	7	29	1,05	0,37	6	03040-908
03059-10	M10	4	22	9	3	3,5	1,4	1,6	3	8	31	1,30	0,60	9	03040-910
03059-12	M12	6	28	10	4	5	2	2	4	10	47	2,00	1,30	16	03040-912
03059-16	M16	7,5	32	14	5	6	2,5	2,5	5	45	100	3,90	3,00	35	03040-916