

Locators



Material, surface finish:

Free-cutting steel, natural finish, hardened.

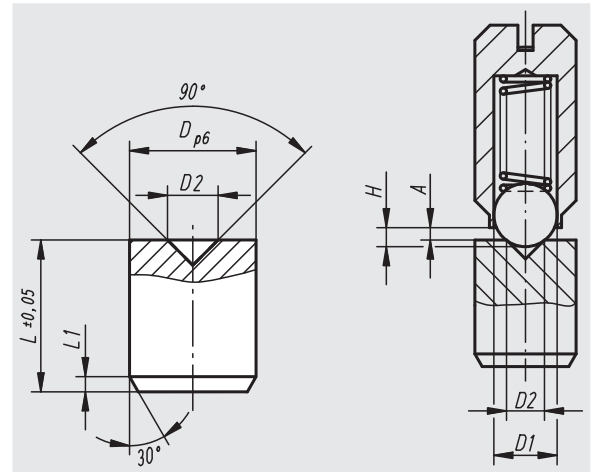
Sample order:

nIm 03069-05020

Note:

If abrasion-resistant and exact locking is necessary, locators can be used together with spring plungers, especially with strong spring force.

$$A = H - \left(\frac{D1 + D2}{2} - \frac{\sqrt{2}}{2} \times D1 \right)$$



Order No.	Suitable for Spring Plunger D	D	D1	D2	H	L	L1
03069-04015	- / M4	4	see relevant product page for dimensions	1,5	see relevant product page for dimensions	5	0,5
03069-05020	ø 4 / M5	5	see relevant product page for dimensions	2	see relevant product page for dimensions	6	0,5
03069-06020	ø 5 / M6	6	see relevant product page for dimensions	2	see relevant product page for dimensions	8	0,7
03069-08030	ø 6 / M8	8	see relevant product page for dimensions	3	see relevant product page for dimensions	10	1
03069-10040	ø 8 / M10	10	see relevant product page for dimensions	4	see relevant product page for dimensions	12	1,2
03069-12060	ø 10 / M12	12	see relevant product page for dimensions	6	see relevant product page for dimensions	14	1,5
03069-16080	ø 12 / M16	16	see relevant product page for dimensions	8	see relevant product page for dimensions	18	2

01000 02000 03000 04000 05000 06000 07000 08000 09000 20000 21000 22000 23000