

Adjustable stops



Material, surface finish:

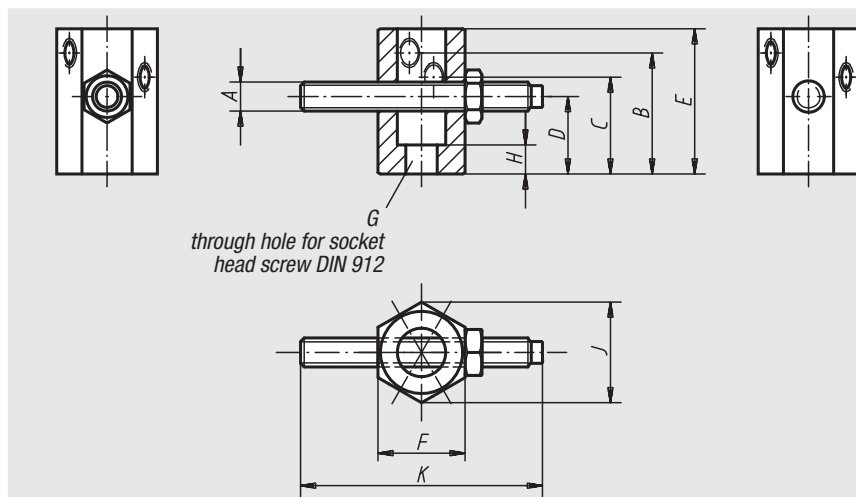
Body tempered steel, black oxide finish; adjusting bolt tempered steel, heat-treated and black oxide finish

Sample order:

nIm 03083-16063

Note:

The adjustable stops have three tapped holes to hold the adjusting bolt.



Order No.	A	B	C	D	E	F	G Hole for	H	J	K	Approx. weight kg
03083-08032	M8	32	25	20	40	21	M8	7	24,3	50	0,085
03083-12050	M12	50	40	32	60	36	M12	12	41,6	100	0,420
03083-16063	M16	63	50	40	80	46	M16	16	53,1	100	0,880

Adjustable stops



Material, surface finish:

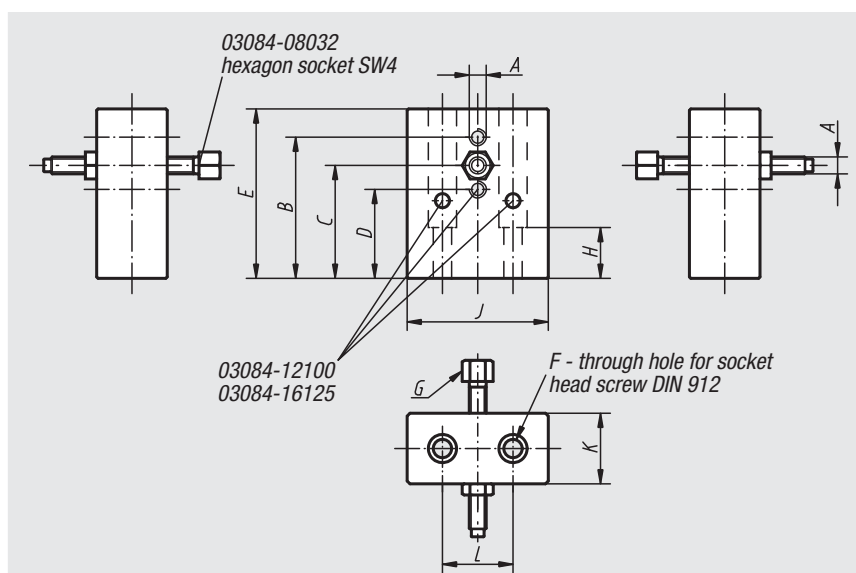
Body tempered steel, black oxide finish; adjusting bolt tempered steel, heat-treated and black oxide finish

Sample order:

nIm 03084-08032

Note:

The adjustable stops have tapped holes to hold the adjusting bolt.



Order No.	A	B	C	D	E	F hole for	G	H	J	K	L	Approx. weight kg
03084-08032	M8	32	20	-	40	M8	M8x50	20	50	22	25	0,320
03084-12100	M12	100	80	63	120	M12	M12x110	37	100	50	50	4,085
03084-16125	M16	125	100	80	150	M16	M16x110	46	100	50	50	4,690