

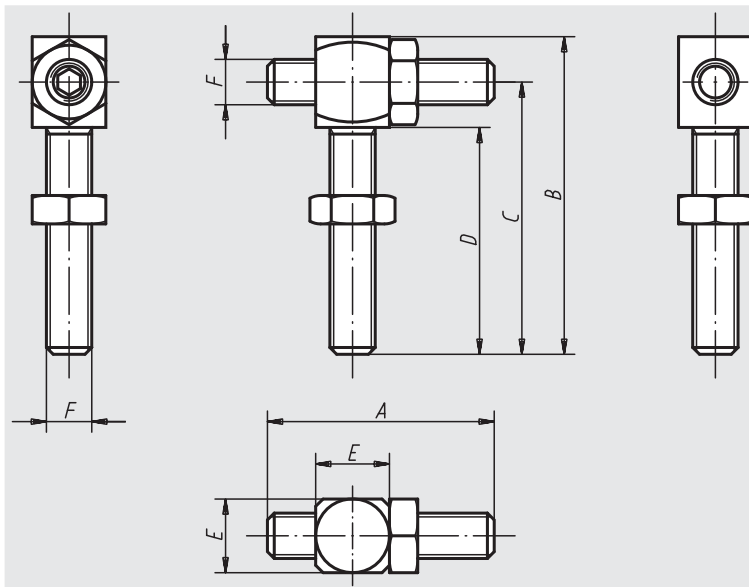
Adjustable mini stops



Material:
Tempered steel heat-treated

Surface finish:
black oxide finish

Sample order:
nlm 03085-10



Order No.	A	B	C	D	E	F	Approx. weight kg
03085-08	40	56	48	40	13	M8	0,090
03085-10	50	70	60	50	17	M10	0,180
03085-12	60	84	72	60	19	M12	0,360
03085-16	80	112	96	80	24	M16	0,870

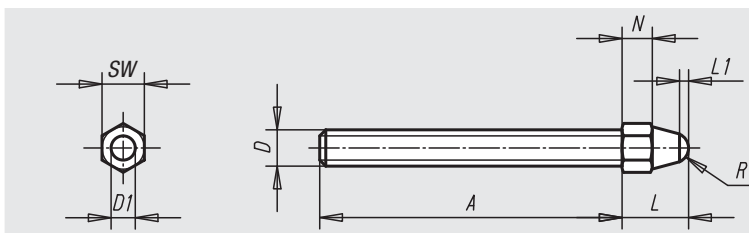
Spherical stops



Material:
Steel

Surface finish:
Black oxide finish;
domed head case-hardened

Sample order:
nlm 03086-108



Order No.	A	D	D1	L	L1	N	R	SW	Approx. weight kg
03086-106	50	M6	4	10	1,5	4	2,5	7	0,015
03086-108	65	M8	6	14	1,5	6	3,75	10	0,040
03086-110	85	M10	8	17	2	7	5	11	0,060
03086-112	110	M12	10	20	2,5	8	6,25	13	0,110
03086-116	130	M16	12	26	3	10	7,5	17	0,195