

5D-swivelling stop


Material, surface finish:

Clamping joint, high-strength aluminium, anodized blue and black; hinge pins, support plate and stop bar in steel, black oxide finish

Sample order:

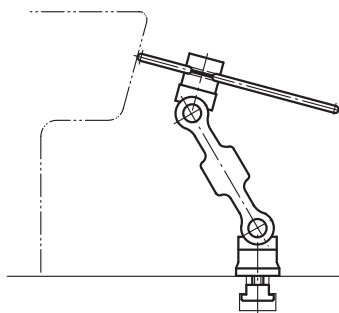
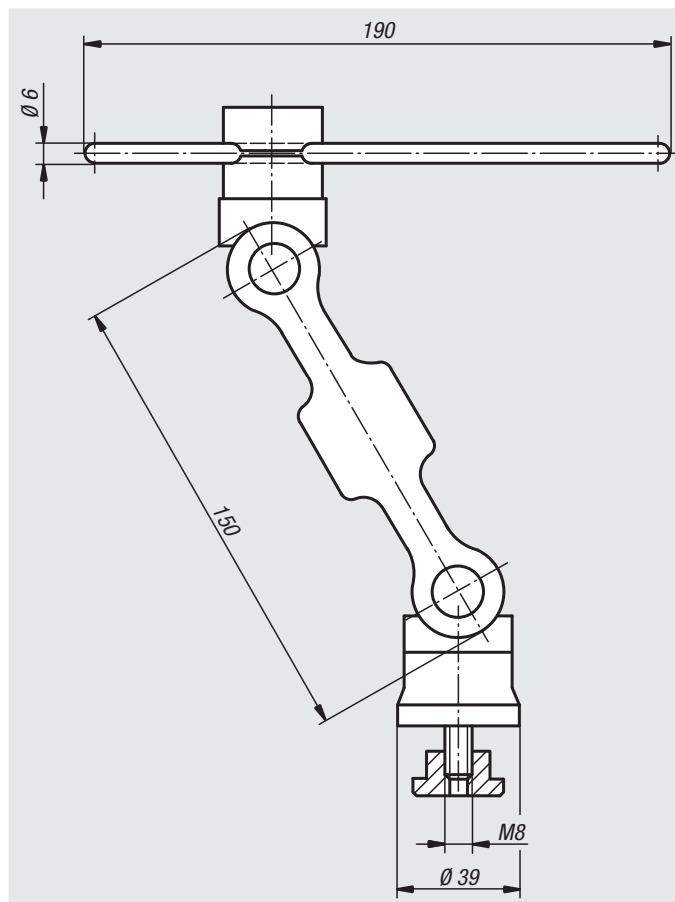
nIm 03088-15012

Note:

The 5D-swivelling stop serves, among other things, as a versatile instrument for positioning on machining tools or for assembly work. It is continuously adjustable, quickly and flexibly, in 5 axes. Supplied complete with M8x12 T-slot nut and hex key.

On request:

Connecting element for combining several 5D-swivelling stops.


Order No.
Size
**Approx.
weight
kg**

03088-15012

150

0,684