

Locking bolts



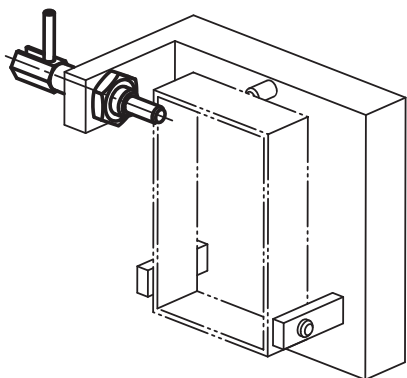
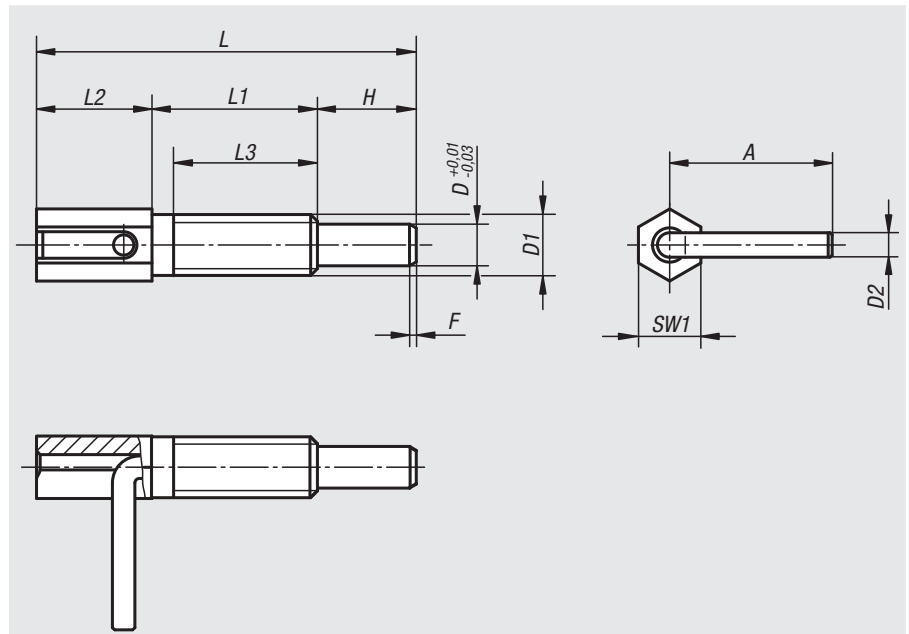
Material:
Steel quality class 5.8.

Surface finish:
Blue chromated.

Sample order:
nlm 03091-1206

Note:
Locking bolts are used to prevent any change in locking position due to lateral forces. A new locking position can only be set after the bolt has been manually disengaged.

On request:
Special versions.



Order No.	D	D1	D2	L	L1	L2	L3	H	A	SW1	F x 30°	Spring force initial pressure F1 approx. N	Spring force final pressure F2 approx. N	Tightening torque max. Nm
03091-1104	4	M6	2,3	41,5	20	12	17	9,5	15,5	6	0,7	3	10	1,6
03091-1905	5	M8	3	54	27	15	24	12	19,2	8	0,9	3,5	13,5	4,5
03091-1206	6	M10	3,5	65	33,5	17,5	30	14	22,9	10	1,1	4	16	10
03091-1308	8	M12	4,7	73	31,8	22,2	28	19	31,2	12	1,3	4	22	13
03091-1410	10	M16	4,7	102,5	50,5	27	44,5	25	32,7	16	1,6	4	23	42