

Locking bolts in stainless steel

without collar



Material:

- Locking pin hardened:
threaded sleeve 1.4305.
Locking pin 1.4034.
- Locking pin not hardened:
threaded sleeve 1.4305.
Locking pin 1.4305.

Mushroom knob 1.4305, electrolytic-polish.

Surface finish:

Natural finish.
Locking pin ground.

Sample order:

nIm 03093-001004

Note:

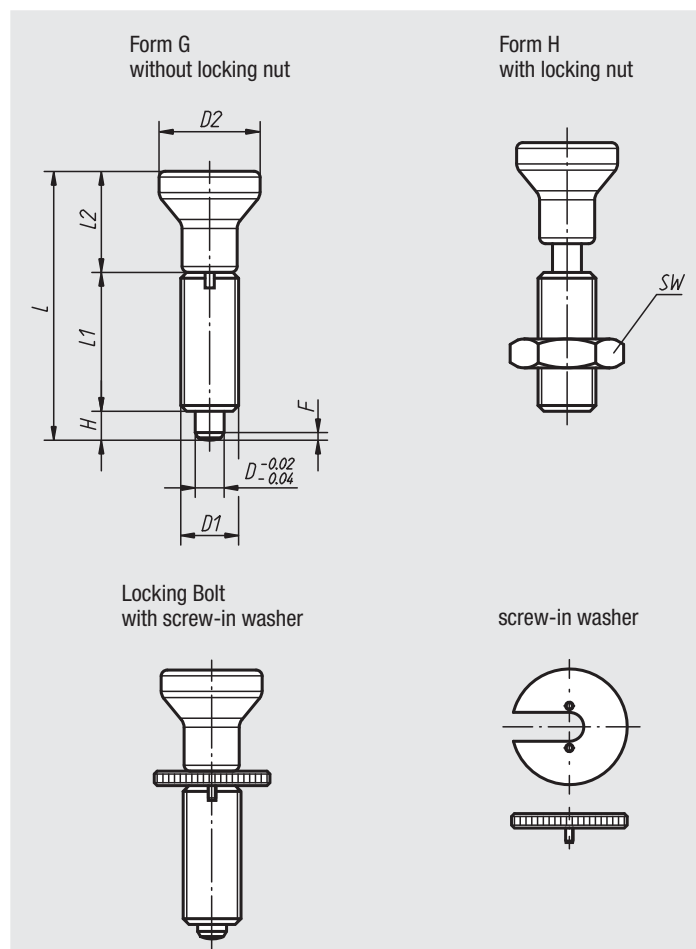
Locking bolts are used to prevent any change in locking position due to lateral forces. A new locking position can only be set after the bolt has been manually disengaged.
In order to screw in the locking bolts, a screw-in washer can be supplied. The washer is slid beneath the disengaged mushroom knob so that the follower pins engage in the slot.

On request:

Special versions.

Accessory:

Spacer rings 03089



Locking bolts in stainless steel, without collar, locking pin hardened

Order No. Form G	Order No. Form H	D	D1	D2	L	L1	L2	H	SW	F x 30°	Spring force initial pressure F1 approx. N	Spring force final pressure F2 approx. N	Order No. screw-in washer
03093-001903	03093-002903	3	M6x0,75	14	34,5	17	14	3,5	- / 10	0,8	4,5	10	03094-99
03093-001004	03093-002004	4	M8x1	18	43	21	18	4	- / 13	1	6	12	03094-90
03093-001105	03093-002105	5	M10x1	21	50	24	21	5	- / 17	1,3	5	12	03094-91
03093-001206	03093-002206	6	M12x1,5	25	59	28	25	6	- / 19	1,8	6	14	03094-92
03093-001308	03093-002308	8	M16x1,5	33	77	36	33	8	- / 24	2,3	15	35	03094-93
03093-001410	03093-002410	10	M20x1,5	33	83	40	33	10	- / 30	2,8	15	34	03094-94
03093-001412	03093-002412	12	M20x1,5	33	87	42	33	12	- / 30	2,8	15	39	03094-94
03093-001516	03093-002516	16	M24x2	40	106	50	40	16	- / 36	3,2	20	46	03094-95

Locking bolts in stainless steel, without collar, locking pin not hardened

Order No. Form G	Order No. Form H	D	D1	D2	L	L1	L2	H	SW	F x 30°	Spring force initial pressure F1 approx. N	Spring force final pressure F2 approx. N	Order No. screw-in washer
03093-111903	03093-112903	3	M6x0,75	14	34,5	17	14	3,5	- / 10	0,8	4,5	10	03094-99
03093-111004	03093-112004	4	M8x1	18	43	21	18	4	- / 13	1	6	12	03094-90
03093-111105	03093-112105	5	M10x1	21	50	24	21	5	- / 17	1,3	5	12	03094-91
03093-111206	03093-112206	6	M12x1,5	25	59	28	25	6	- / 19	1,8	6	14	03094-92
03093-111308	03093-112308	8	M16x1,5	33	77	36	33	8	- / 24	2,3	15	35	03094-93
03093-111410	03093-112410	10	M20x1,5	33	83	40	33	10	- / 30	2,8	15	34	03094-94
03093-111412	03093-112412	12	M20x1,5	33	87	42	33	12	- / 30	2,8	15	39	03094-94
03093-111516	03093-112516	16	M24x2	40	106	50	40	16	- / 36	3,2	20	46	03094-95