

# Locking bar



**Material:**

Housing in die cast zinc.  
 Grip, support and slot fixation thermoplastic PA.  
 Bolt in stainless steel.

**Surface finish:**

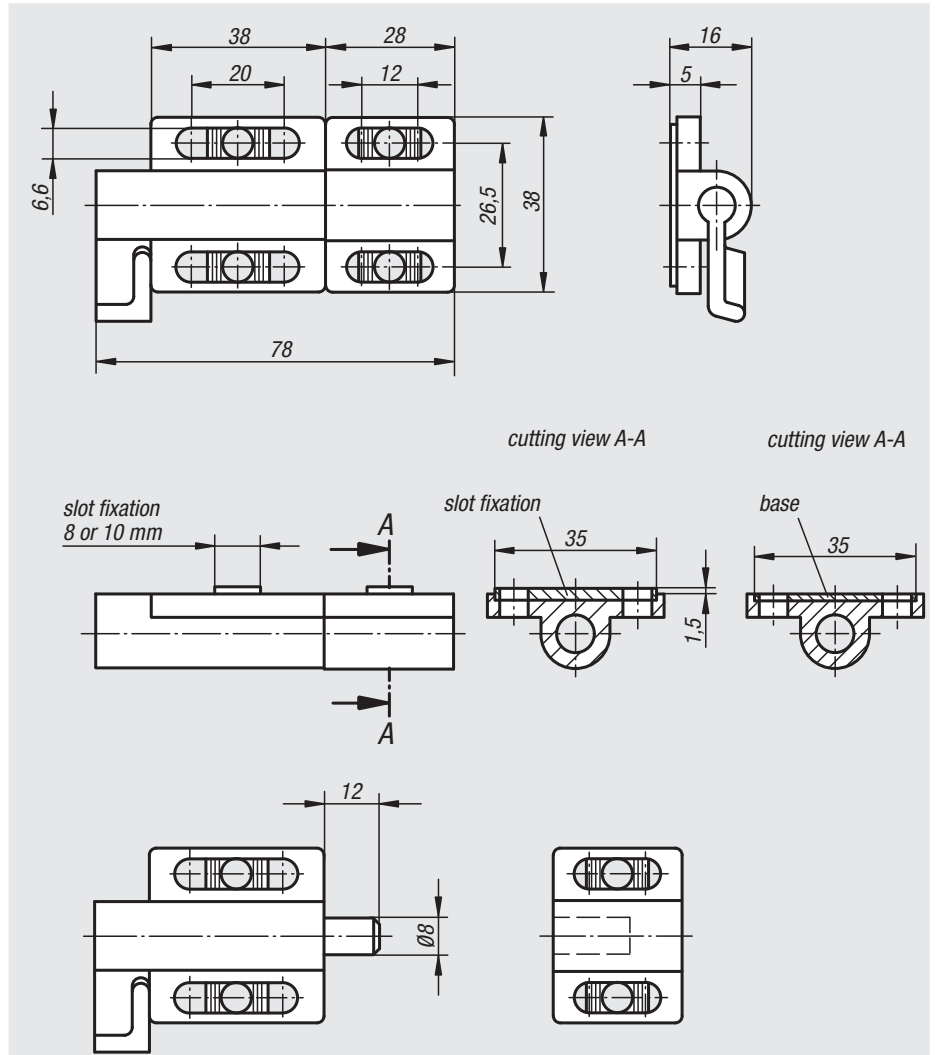
Housing silver painted.  
 Grip, support and slot fixation black.  
 Bolt natural finish.

**Sample order:**

nIm 03102-38038028

**Note:**

Spring-loaded closing pin.  
 Included in delivery are:  
 - for assembly on flat surfaces, 2 bases.  
 - for assembly on profiles with slot,  
 2 slotted fixtures each (for 8 and 10 mm slot).



Order No.	Spring force initial pressure F1 approx. N	Spring force final pressure F2 approx. N	Approx. weight kg
03102-38038028	5	15	0,120