

# Free-milled positioning pins ground

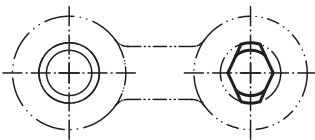
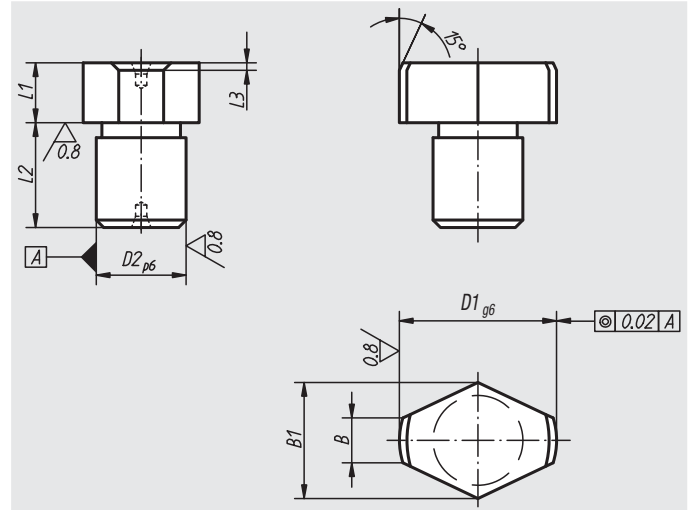


**Material:**  
Tool steel.

**Surface finish:**  
Hardened and ground.

**Sample order:**  
nlm 03140-08

**Note:**  
Face surfaces with centre hole.



Order No.	Surface finish	D1	D2	L1	L2	L3	B	B1	Approx. weight kg
03140-05	D1 ground	8	5	8	8	2	2	6,6	0,004
03140-07	D1 ground	10	7	8	8	2	3	8,6	0,006
03140-08	D1 ground	12	8	8	10	2	3	9,8	0,010
03140-081	D1 ground	14	8	8	10	3	3,5	11,2	0,011
03140-09	D1 ground	16	9	8	12	3	4	13,2	0,015
03140-12	D1 ground	18	12	8	12	3	4,5	14,7	0,021
03140-121	D1 ground	20	12	8	14	3	5	16,6	0,025
03140-14	D1 ground	22	14	8	14	3	5,6	18	0,028
03140-16	D1 ground	25	16	8	16	3	6	19,8	0,034

01000  
02000  
03000  
04000  
05000  
06000  
07000  
08000  
09000  
20000  
21000  
22000  
23000