

Free-milled positioning pins not ground

**Material:**

Tool steel.

Surface finish:

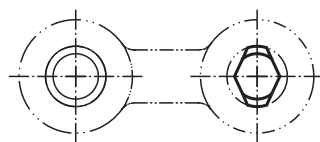
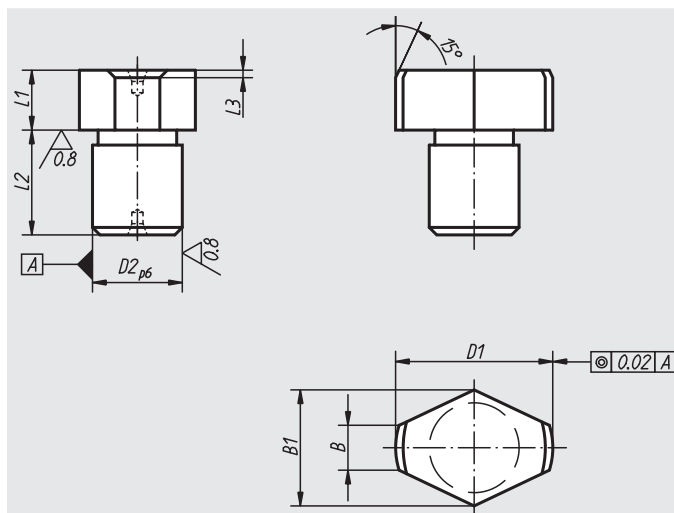
Hardened.

Sample order:

nlm 03150-05

Note:

Face surfaces with centre hole.



Order No.	Surface finish	D1	D2	L1	L2	L3	B	B1	Approx. weight kg
03150-05	D1 not ground	8,5	5	8	8	2	2	6,6	0,004
03150-07	D1 not ground	10,5	7	8	8	2	3	8,6	0,006
03150-08	D1 not ground	12,5	8	8	10	2	3	9,8	0,010
03150-081	D1 not ground	14,5	8	8	10	3	3,5	11,2	0,011
03150-09	D1 not ground	16,5	9	8	12	3	4	13,2	0,015
03150-12	D1 not ground	18,5	12	8	12	3	4,5	14,7	0,021
03150-121	D1 not ground	20,5	12	8	14	3	5	16,6	0,025
03150-14	D1 not ground	22,5	14	8	14	3	5,6	18	0,028
03150-16	D1 not ground	25,5	16	8	16	3	6	19,8	0,034