

Receiver bushings

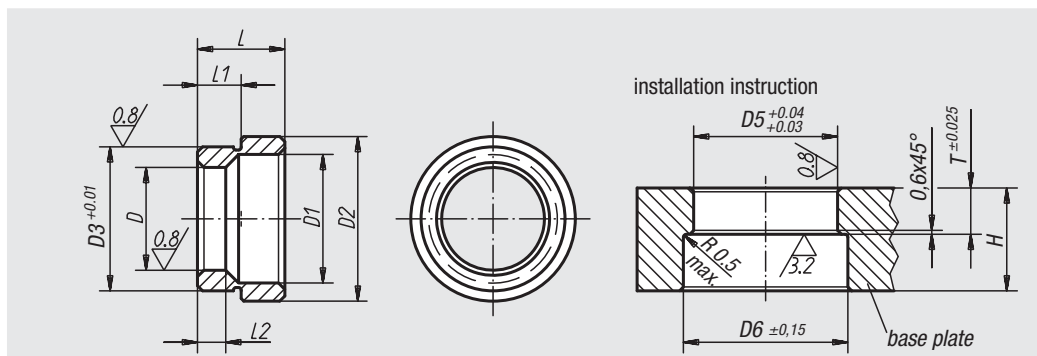
form A (pressed in at rear)



Material:
Tempered steel

Surface finish:
Heat-treated and black oxide finish

Sample order:
nlm 03155-20



Order No.	D	D1	D2	D3	L	L1	L2	D5	D6	T	Min. grid plate thickness H	Approx. weight kg
03155-13	13	17,3	25	20,03	12,1	6,6	5,58	20	26	6,92	20	0,020
03155-16	16	20,7	28,6	22,03	12,1	6,9	6,6	22	29	7,24	20	0,020
03155-20	20	24,8	32,2	28,03	17,1	8,42	8,13	28	33	8,74	25	0,050
03155-25	25	30,4	40,2	35,03	21	10,22	10,16	35	41	10,54	25	0,080
03155-30	30	36,2	48,2	42,03	21,8	10,63	11,18	42	49	10,95	30	0,140
03155-35	35	41,3	54,2	48,03	25,1	12,18	14,78	48	55	12,5	32	0,180
03155-50	50	58,4	75,2	67,03	31,1	15,43	18,67	67	76	15,75	45	0,410

Receiver bushings

form B (screwed in at front)

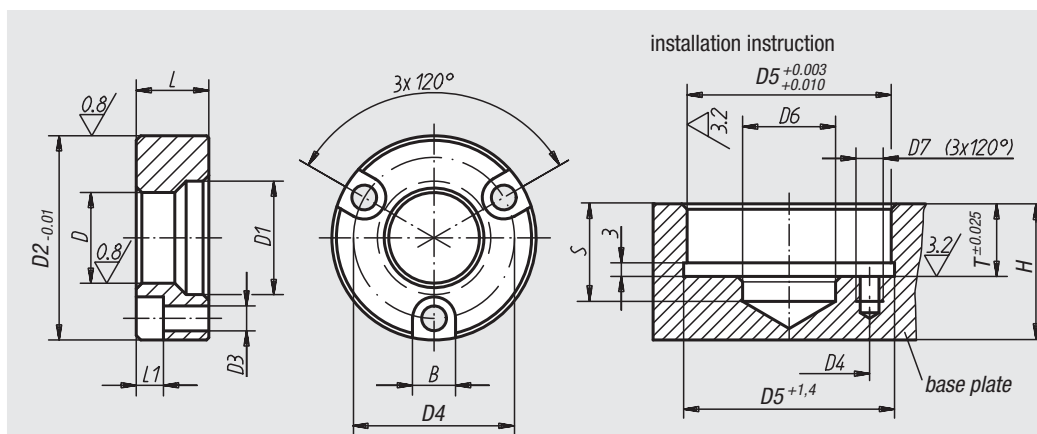


Material:
Tempered steel

Surface finish:
Heat-treated and black oxide finish

Sample order:
nlm 03156-13

Note:
Assembly screws are included.



Order No.	D	D1	D2	D3	D4	L	L1	B	D5	D6	D7	S	T	Min. grid plate thickness H	Approx. weight kg
03156-13	13	17,3	34,99	4,4	25	11,56	4,5	7,6	35	13,5	M4x7	20	11,91	20	0,060
03156-16	16	20,7	36,99	4,4	29	11,56	4,5	7,6	37	21	M4x7	20	11,91	20	0,060
03156-20	20	24,8	44,99	5,4	35	15,82	6,0	9,5	45	21	M5x9	25	16,21	25	0,140
03156-25	25	30,4	54,99	6,4	42	19,94	7,0	11,0	55	25,5	M6x10	25	20,32	25	0,200
03156-30	30	36,2	59,99	6,4	48	21,77	7,0	11,0	60	30,5	M6x11	30	22,15	30	0,270
03156-35	35	41,3	69,99	8,4	56	22,61	9,0	14,0	70	40	M8x17	32	22,99	32	0,410
03156-50	50	58,4	91,99	10,4	75	31,12	11,0	17,0	92	55	M10x18	45	31,5	45	0,910