

# Locking and clamp grips



**Material, surface finish:**

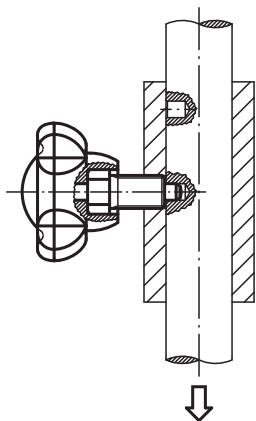
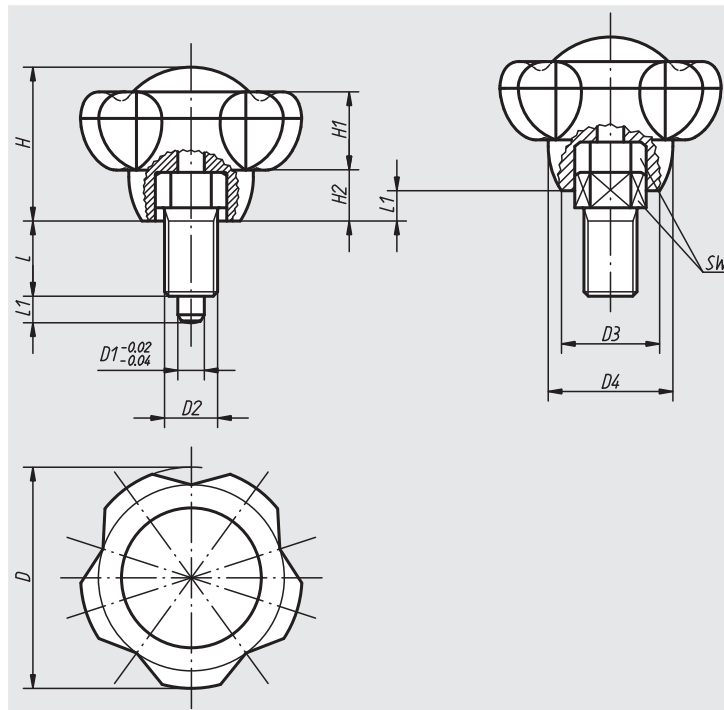
Anthracite grey thermoplastic.  
 Locking pin and threaded bolt in steel 5.8, black oxide finish.  
 Locking pin hardened and ground.

**Sample order:**

nIm 03190-11056 (cap colour traffic red)

**Note:**

Δ Add the desired cap colour here. No colour code is required with anthracite grey grip caps.



Order No.	Size	D	D1	D2	D3	D4	H	H1	H2	L	L1	SW	Approx. weight kg
03190-1105Δ	1	50	5	M10x1	22,2	28,2	34,8	17,8	11,5	13	5	13	0,033
03190-1206Δ	2	50	6	M12x1,5	22,2	28,2	34,8	17,8	11,5	17	6	14	0,040
03190-1308Δ	3	63	8	M16x1,5	28	35,5	44	22,5	14,5	22	8	19	0,097
03190-1410Δ	4	63	10	M20x1,5	28	35,5	44	22,5	14,5	24	10	22	0,135