

# Ball locking bolts

self-locking



## Material, surface finish:

Grip black thermoplastic.

Push button red thermoplastic.

Steel parts in stainless steel, natural finish.

## Sample order:

nIm 03193-3806050

(please also indicate dimension L, e.g. 050 for L = 50 mm)

## Note:

Ball locking bolts are used for fast and easy fixing and joining of parts and workpieces.

The two balls can be disengaged by depressing the push button, so that the parts to be joined can be pegged. When the push button is released the balls lock the connection safely and permanently.

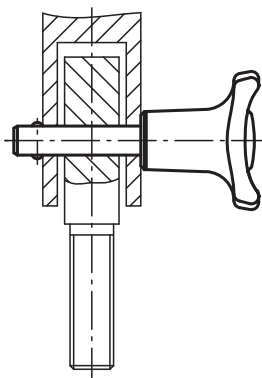
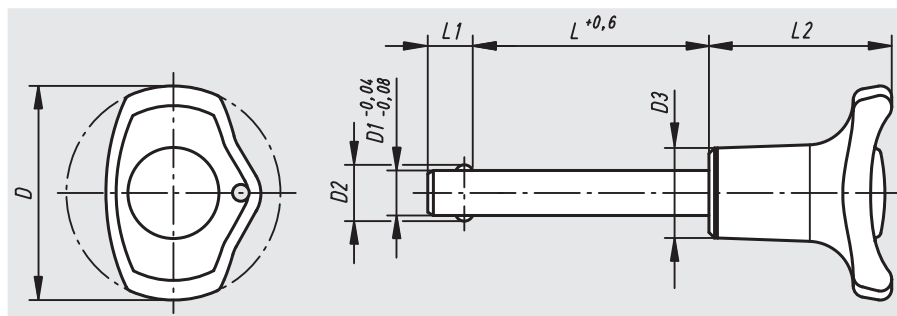
Shearing force double-edged (F) = S · τ aB max.

## Accessory:

Safety helix cable 03199-10200

Restraining Cable with eye 03199-....

Key Ring 03199-15/19/23



Order No.	D	D1	D2	D3	L	L1	L2	Receiving hole H11	Shearing force double-edged max. kN
03193-3805***	38	5	5,5	16	10/15/20/25/30	6	32,5	5	15
03193-3806***	38	6	6,85	16	10/15/20/25/30/35/40/45/50	7	32,5	6	22
03193-3808***	38	8	9,5	16	20/25/30/35/40/45/50	8	32,5	8	38
03193-4710***	47	10	12	23	20/25/30/35/40/45/50/60	9	40	10	60
03193-4712***	47	12	14,5	23	25/30/35/40/45/50/60/70/80	10	40	12	86
03193-4716***	47	16	19	23	30/35/40/45/50/60/70/80	13	40	16	153