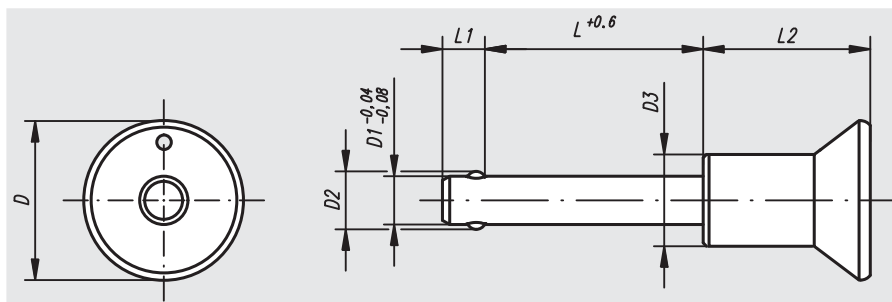


Ball locking bolts in stainless steel

self-locking



Material, surface finish:

Steel parts in stainless steel, natural finish.

Sample order:

nIm 03194-3110030

(Please also indicate dimension L, e.g. 030 for L = 30 mm)

Note:

Ball locking bolts are used for fast and easy fixing and joining of parts and workpieces.

The two balls can be disengaged by depressing the push button, so that the parts to be joined can be pegged. When the push button is released the balls lock the connection safely and permanently.

Corrosion resistant. Fixing option for restraining cable. Temperature range of application max. +250 °C.

Shearing force double-edged (F) = S · τ aB max.

Accessory:

Pin Ring: 03199-10200

Pin Retaining Cable: 03199-...

Key Ring 03199-15/19/23

Order No.	D	D1	D2	D3	L	L1	L2	Receiving hole H11	Shearing force double-edged max. kN
03194-2305***	25	5	5,5	14	10/15/20/25/30	6	26,5	5	15
03194-2306***	25	6	6,85	14	10/15/20/25/30/35/40/45/50	7	26,5	6	22
03194-2308***	25	8	9,5	14	20/25/30/35/40/45/50	8	26,5	8	38
03194-3110***	33	10	12	19	20/25/30/35/40/45/50/60	9	34,6	10	60
03194-3112***	33	12	14,5	19	25/30/35/40/45/50/60/70/80	10	34,6	12	86
03194-3116***	33	16	19	20	30/35/40/45/50/60/70/80	13,3	34,6	16	153