

# Locking pins


**Material, surface finish:**

Grip black thermoplastic.

Steel parts in stainless steel, natural finish.

**Sample order:**

nIm 03195-2508020

(please also indicate dimension L, e.g. 020 for L = 20 mm)

**Note:**

Locking pins are used for fast and easy fixing and joining of parts and workpieces.

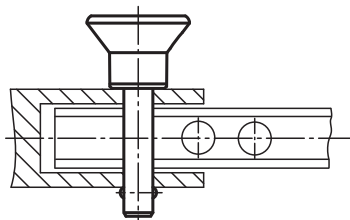
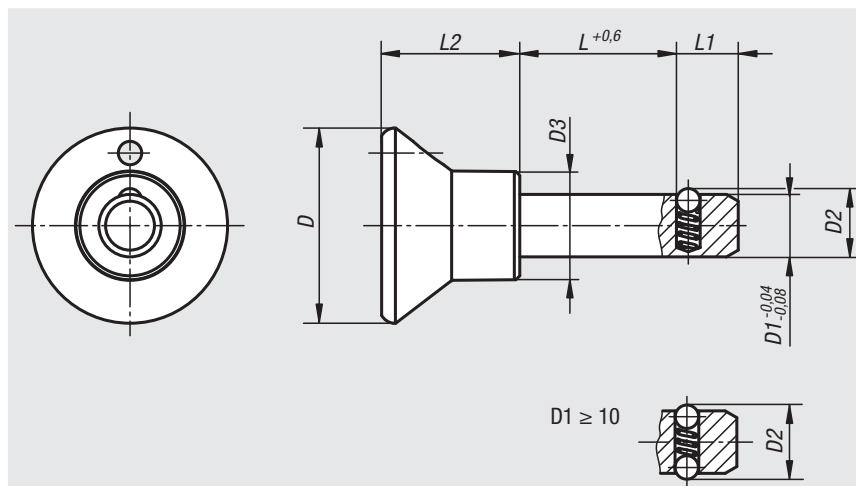
Shearing force double-edged (F) = S · τ aB max.

**Accessory:**

Safety helix cable 03199-10200

Restraining Cable with eye 03199-....

Key Ring 03199-15/19/23



Order No.	D	D1	D2	D3	L	L1	L2	Receiving hole H11	Shearing force double-edged max.kN
03195-2506***	25	6	6,5	14	10/15/20/25/30/40/50	7	17,7	6	22
03195-2508***	25	8	8,75	14	15/20/25/30/40/50	8	17,7	8	38
03195-3310***	33	10	12	19	15/20/25/30/40/50	9	24	10	60
03195-3312***	33	12	14,5	19	20/30/40/50	10	24	12	86