

Ball locking bolts with T-grip

self-locking



Material:

Bolt in stainless steel 1.4542.
Grip aluminium die casting EN-AC 46000.
Push button in aluminium EN-AW 2024 T4.
Balls in stainless steel 1.4125.
Compression spring in stainless steel.

Surface finish:

Bolt, hardened min. 40 HRC and passivated.
Grip black anodised.
Push button blue anodised.
Balls hardened 58 +4 HRC and passivated.
Passivated compression spring.

Sample order:

nIm 03196-24605030
(please also indicate dimension L, e.g. 030 for L = 30 mm)

Note:

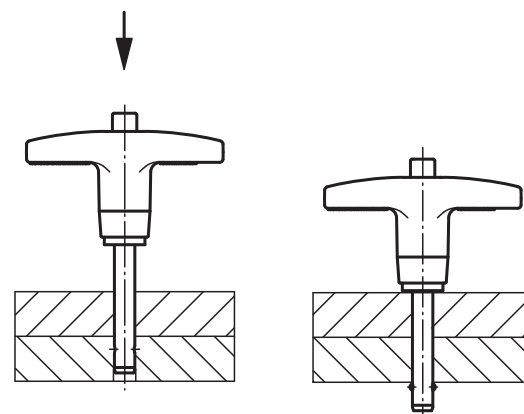
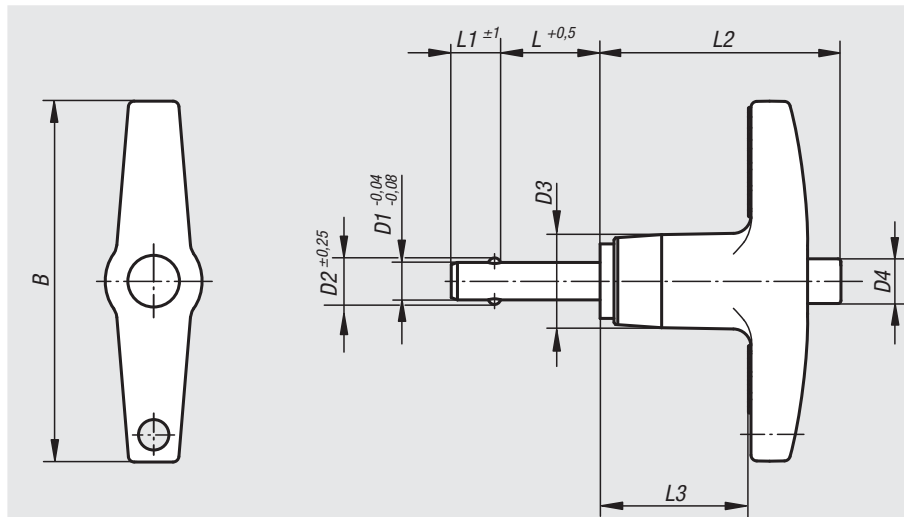
Ball locking bolts are used for fast and easy fixing and joining of parts and workpieces. The two balls can be disengaged by depressing the push button, so that the parts to be joined can be pegged. When the push button is released the balls lock the connection safely and permanently. If required, the ball locking bolts can be provided with a holding rope.

The bolt made of high-strength, hardened stainless steel is suitable for extreme loads and provides a very high level of wear protection.

Shearing force double-edged (F) = S · τ aB max.

Accessory:

Safety helix cable 03199-10200
Restraining Cable with eye 03199-....
Key Ring 03199-15/19/23



Order No.	B	D1	D2	D3	D4	L	L1	L2	L3	Receiving hole H11	Shearing force double-edged max.kN
03196-24605***	46	5	5,54	11,9	5,8	10/15/20/25/30/35/40/50/60/70	6	30,7	19,3	5	24,40
03196-24606***	46	6	6,99	11,9	5,8	10/15/20/25/30/35/40/50/60/70/80	7	30,7	19,3	6	35,64
03196-24608***	46	8	9,42	11,9	5,8	10/15/20/25/30/35/40/50/60/70/80	8	30,7	19,3	8	63,80
03196-25110***	50,8	10	11,86	14,2	7,4	15/20/25/30/35/40/50/60/70/80/90/100	9	34,8	22,1	10	100,10
03196-25812***	57,2	12	14,45	18,3	10,7	20/25/30/35/40/50/60/70/80/90/100	10	40,6	25,4	12	144,06
03196-27816***	78	16	19	23,9	13,7	25/30/35/40/50/60/70/80/90/100	14	45	28,2	16	257,18