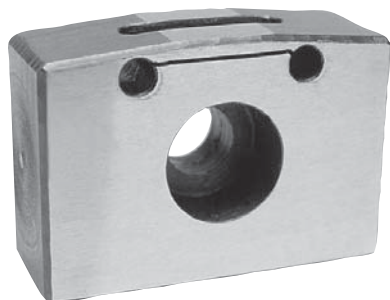


Elastic slot nuts

Pat. no. 4200676



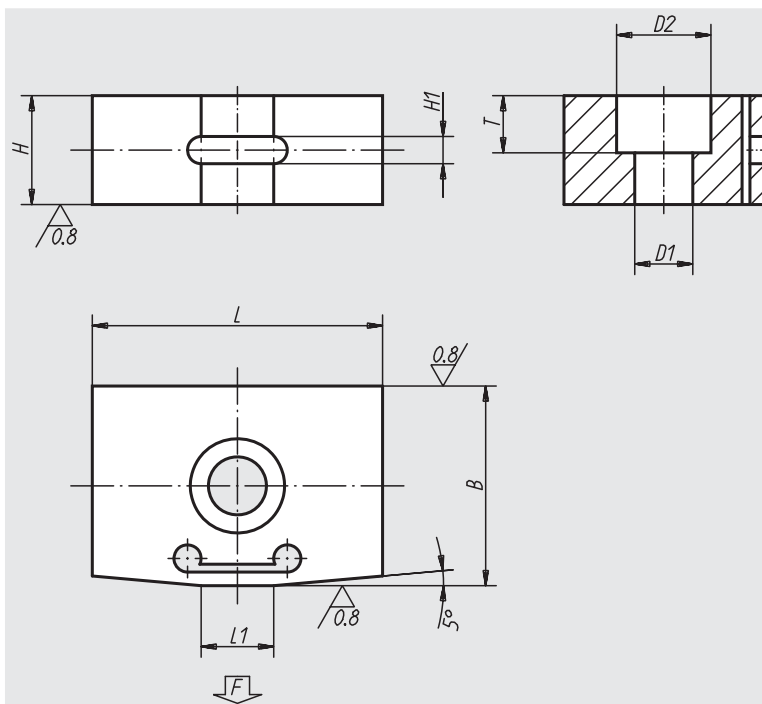
Material:
Hardened steel

Surface finish:
Case-hardened; black oxide finish and ground

Sample order:
nlm 03252-12

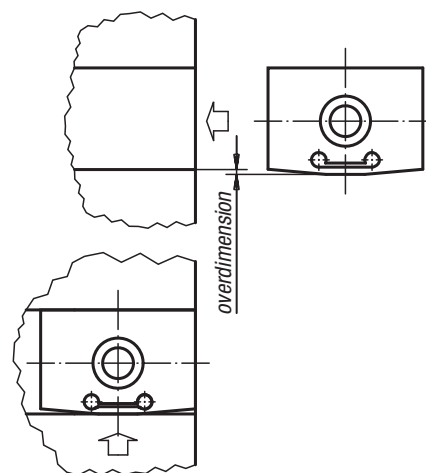
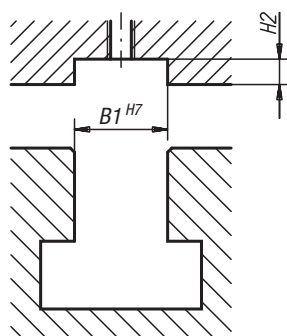
Note:
Elastic slot nuts are used to align devices and chucking tools on machine tables with T-slots pursuant to DIN 650.

- Advantages:**
- Elastic deformation produces perfect seating.
 - The tolerance play in the guide slots of the machine table and device or chucking tool are compensated independently of each other by the interrupted springing surface.
 - Repeat accuracies within 0.005 mm are possible.



installation dimensions:

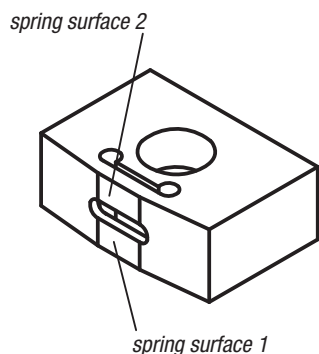
elastic deformation produces a perfect seating



Independent compensation of two different slot dimensions

Spring surface 1:
Adjusted to the guide slot of the add-on part (device/chucking tool).

Spring surface 2:
Adjusted to the guide slot of the supporting table.



Order No.	B	B1	H	H1	H2	L	L1	D1	D2	T	Approx. spring force at 0,02 spring tension	Approx. spring force at 0,03 spring tension	Approx. weight g
03252-10	10 +0,035 +0,020	10	8	2	4	20	6	4,3	7,4	4,3	100	200	9,0
03252-12	12 +0,038 +0,023	12	8	2	4	20	6	5,3	9,4	5,3	100	200	10,0
03252-14	14 +0,038 +0,023	14	10	3	5	22	8	6,4	10,4	6,3	100	200	14,5
03252-16	16 +0,038 +0,023	16	10	3	5	22	8	6,4	10,4	6,3	100	200	17,5
03252-18	18 +0,038 +0,023	18	10	3	5	22	8	6,4	10,4	6,3	100	200	20,5
03252-20	20 +0,040 +0,025	20	10	3	5	22	8	6,4	10,4	6,3	100	200	23,5
03252-22	22 +0,040 +0,025	22	12	3	6	32	11	6,4	10,4	6,3	100	200	50,0