

Feathers

DIN 6885 A

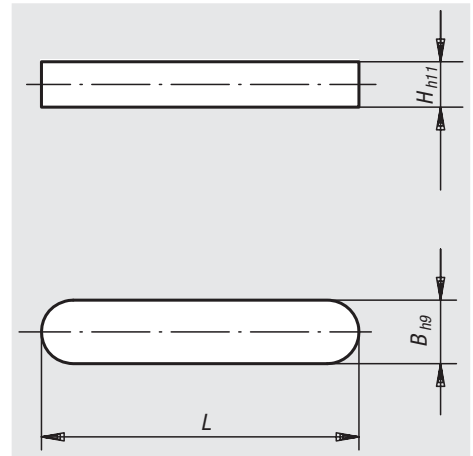


Material:
Steel 1.1192.

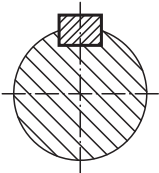
Surface finish:
Natural finish.

Sample order:
nlm 03288-04X12 (Please also indicate dimension L)

On request:
Feathers in stainless steel 1.4571.



Application example:



Order No.	B	H	L = length
03288-03X	3	3	8/10/12/14/16/18/20/22/25/28
03288-04X	4	4	8/10/12/14/16/18/20/22/25/28
03288-05X	5	5	12/14/16/18/20/22/25/28/32/36/40
03288-06X	6	6	12/14/16/18/20/22/25/28/32/36/40/45
03288-08X	8	7	14/16/18/20/22/25/28/32/36/40/45/50/70
03288-10X	10	8	22/25/28/32/36/40/45/50/56/70/80
03288-12X	12	8	25/28/32/36/40/45/50/56/70/80
03288-14X	14	9	25/28/32/36/40/45/50/56/70/80
03288-16X	16	10	50/56/63/70/80/90/100