

Eccentric bushes and assembly tools

for lateral spring plungers

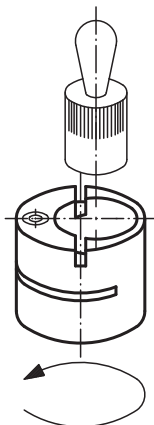
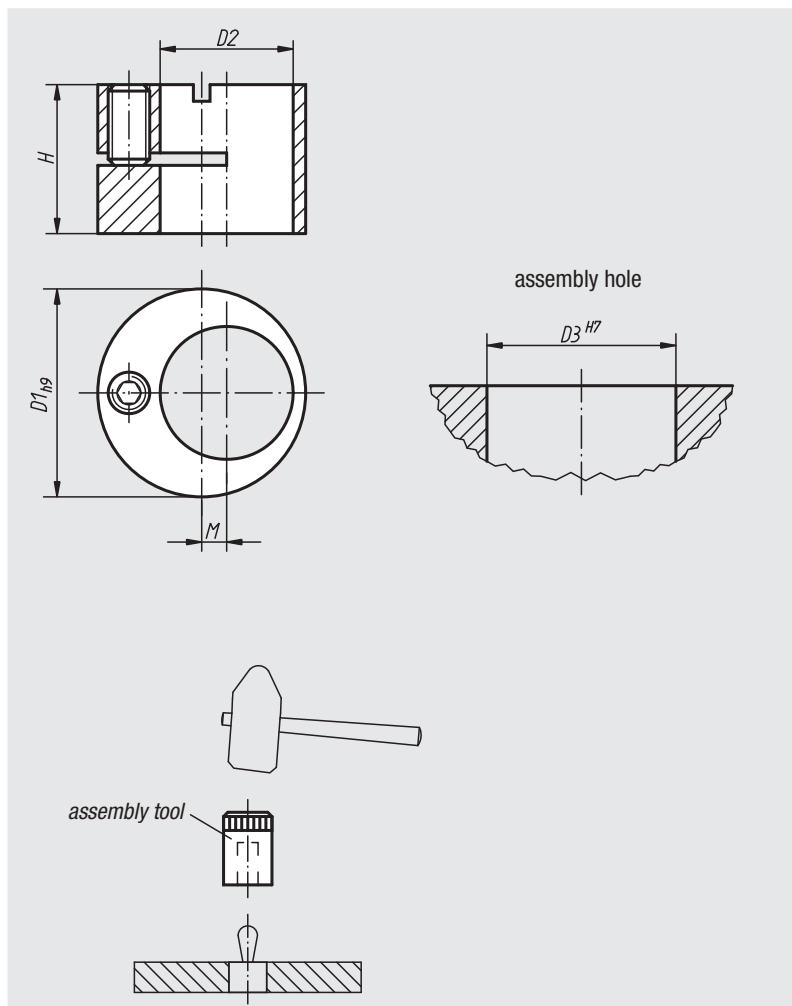


Material:
Steel.

Surface finish:
Black oxide finish.

Sample order:
nlm 03330-180

Note:
Eccentric bushes enable lateral spring plungers to be positioned exactly to the workpiece.



Assembly tools

Order No.	Suitable for lateral spring plungers with D =
03330-03	6
03330-05	10
03330-08	12
03330-10	16

Eccentric bushes for lateral spring plungers

Order No.	D1	D2	D3	H	M	Approx. weight kg	Suitable for lateral spring plungers with D =
03330-120	12	6	12	9,9	2	0,006	6
03330-150	15	8	15	9,9	2	0,008	8
03330-160	16	10	16	11,9	2	0,010	10
03330-180	18	12	18	13,9	2	0,012	12
03330-250	25	16	25	17,9	3	0,036	16