

# Lateral spring plungers

with threaded sleeve, without pressure pin



## Material:

Sleeve and spring in steel.

Receiving washer in steel, hardened and black oxide finish.

## Surface finish:

Sleeve blue galvanized.

## Sample order:

nIm 03336-1100X20 (please also indicate size L)

L 11.5 = L 12

L 19 = L 20

L 26.5 = L 27

L 18 = L 16

L 31.5 = L 29

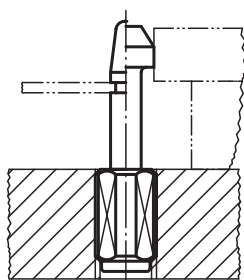
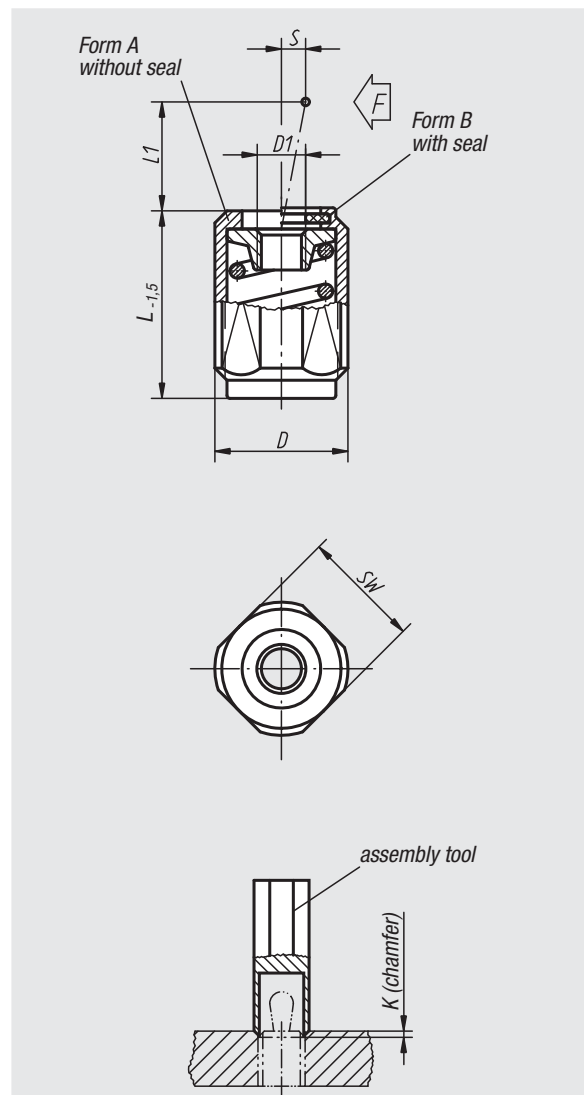
L 45 = L 43

## Note:

Depending on the circumstances, the pressure pin can be fabricated by the customer and screwed into the threaded hole of the receiving washer.

Utilizing stroke (S) and the corresponding length (L), lateral pressure (F) can be achieved.

In addition, form B is equipped with a seal to prevent chips and dirt from entering.



Order No. Form A	Order No. Form B	L	L1	D	D1	±S	F approx.N	SW	K	Order No. assembly tool
03336-1020X	03336-2020X	11,5/19/26,5	4	M12	M4	1,6	20	10	2x60°	03334-06
03336-1050X	03336-2050X	11,5/19/26,5	4	M12	M4	1,6	50	10	2x60°	03334-06
03336-1100X	03336-2100X	11,5/19/26,5	4	M12	M4	1,6	100	10	2x60°	03334-06
03336-1040X	03336-2040X	11,5/19/26,5	7,5	M12	M4	2	40	10	2x60°	03334-06
03336-1075X	03336-2075X	11,5/19/26,5	7,5	M12	M4	2	75	10	2x60°	03334-06
03336-1150X	03336-2150X	11,5/19/26,5	7,5	M12	M4	2	150	10	2x60°	03334-06
03336-1100X	03336-2100X	18/31,5/45	11,5	M18x1,5	M6	3,2	100	16	2,5x60°	03334-10
03336-1200X	03336-2200X	18/31,5/45	11,5	M18x1,5	M6	3,2	200	16	2,5x60°	03334-10
03336-1300X	03336-2300X	18/31,5/45	11,5	M18x1,5	M6	3,2	300	16	2,5x60°	03334-10