

Spring traction units and pressure pads



Material:
Bush, spring bolt and spring in steel.

Surface finish:
Body blue galvanized.
Spring bolts black oxide finish.

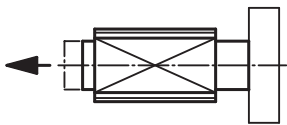
Sample order:
nlm 03338-1202004

Note:
As a result of the bilateral thread in the spring bolt, many inserts are possible for individual applications, e.g. with prisms, studs, pendulum seats, handles, knobs, milled nuts, etc.

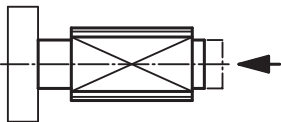
Assembly:
To lock the threaded bush in position, we recommend a LOCTITE screw lock No. 97990-243....

Application:

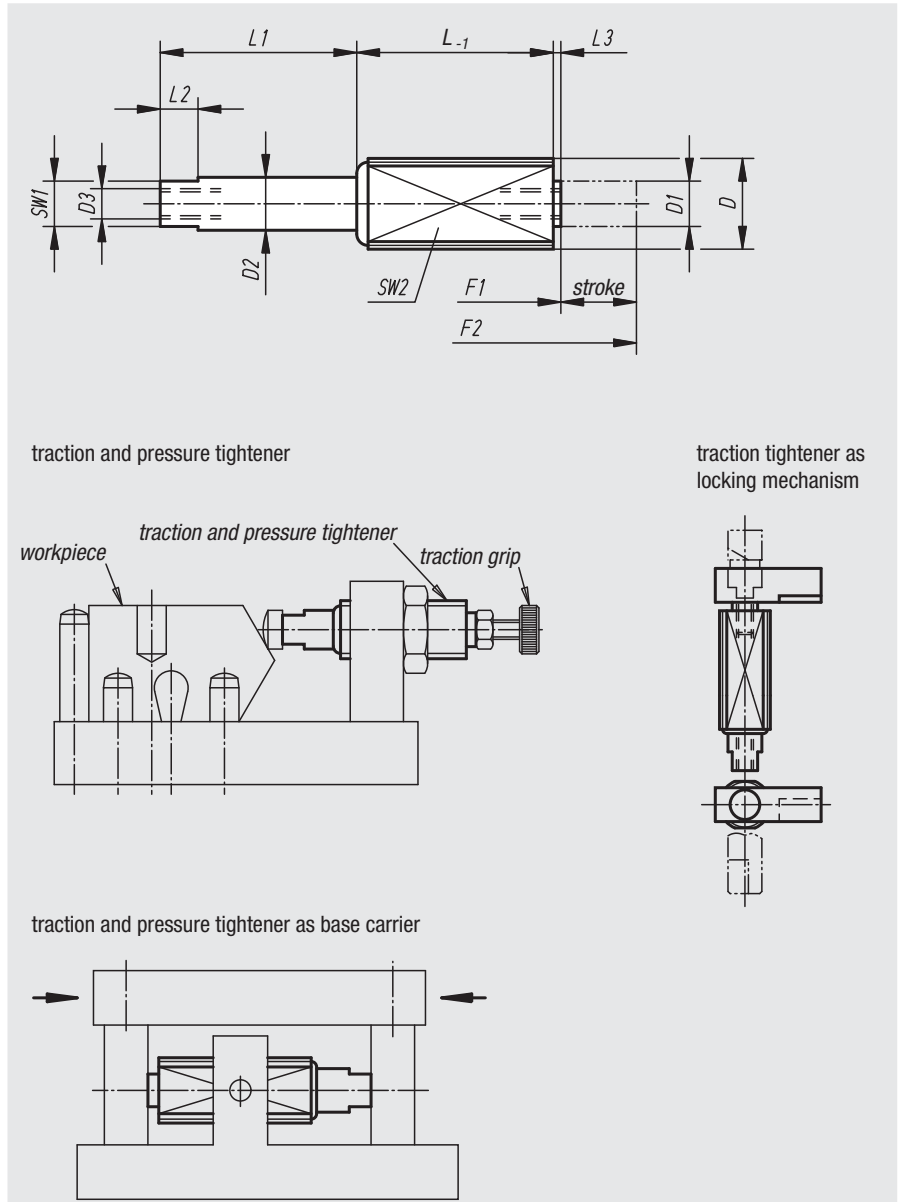
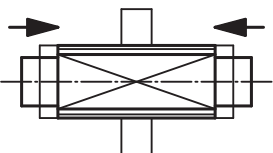
As **pressure tightener**:
The active force presses the part.



As **traction tightener**:
The active force tractions the part.



As **traction and pressure tightener**:
In this case the inner bolt has a fixed position. Threaded bush acts as the base carrier.
The active force tractions or presses the part in both directions.



Order No.	D	D1	D2	D3	F1 (N)	F2 (N)	Stroke	L	L1	L2	L3	SW1	SW2 4-sided
03338-1202004	M12	6	7	M4x8	5	20	3,5	11	4,5	5	1	6	10
03338-1202006	M12	6	7	M4x8	5	20	6	18,5	7	5	1	6	10
03338-1202010	M12	6	7	M4x8	5	20	10	26	11	5	1	6	10
03338-1206003	M12	6	7	M4x8	12	40	3	11	4,5	5	1	6	10
03338-1206005	M12	6	7	M4x8	12	40	5	18,5	7	5	1	6	10
03338-1206008	M12	6	7	M4x8	12	40	8	26	11	5	1	6	10
03338-1212503	M12	6	7	M4x8	20	100	3	11	4,5	5	1	6	10
03338-1212505	M12	6	7	M4x8	20	100	5	18,5	7	5	1	6	10
03338-1212508	M12	6	7	M4x8	20	100	8	26	11	5	1	6	10
03338-1815004	M18x1,5	10	11	M6x12	50	150	4	17	6	6	2,5	9	16
03338-1815007	M18x1,5	10	11	M6x12	50	150	7	29,5	11,5	6	2,5	9	16
03338-1815013	M18x1,5	10	11	M6x12	50	150	12,5	45,5	16	6	2,5	9	16