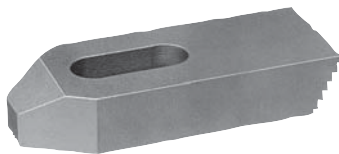


Stepped clamps

steel or aluminium



Material:

Tempered steel or EN AW-7022

Surface finish:

Painted, aluminium natural finish

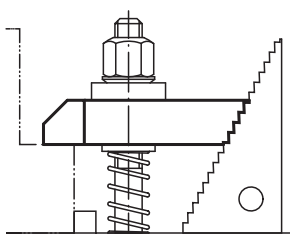
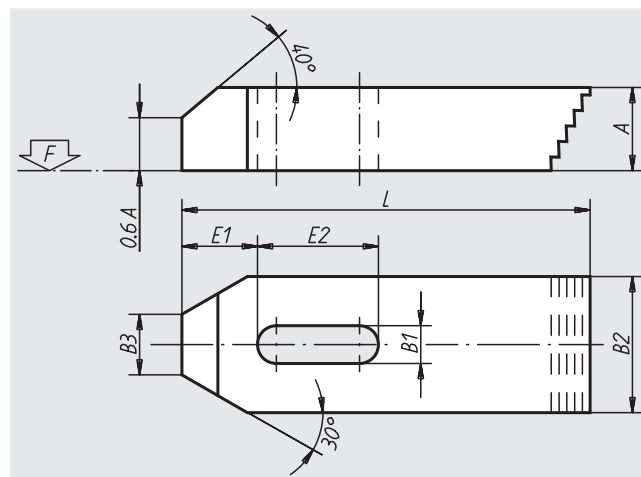
Sample order:

nln 04070-12

Note:

For use only with Universal-tensioning bases 02270.

With concave washers 07420, use form G.



Order No. Material steel	Order No. Material aluminium	L	A	B1	B2	B3	E1	E2	F kN	for screw
04070-06	04070-206	50	10	7	20	8	10	20	4,82	M6
04070-08	04070-208	60	12	9	25	10	13	22	8,77	M8
04070-10	04070-210	80	15	11	30	12	15	30	13,9	M10
04070-12	04070-212	100	20	14	40	14	21	40	20,2	M12/M14
04070-16	04070-216	125	25	18	50	18	26	45	37,8	M16/M18
04070-20	04070-220	160	30	22	60	22	30	60	58,8	M20/M22
04070-24	04070-224	200	30	26	70	26	35	80	84,7	M24

Application: jig using norelem parts

