

Goose-neck straps

with long slot

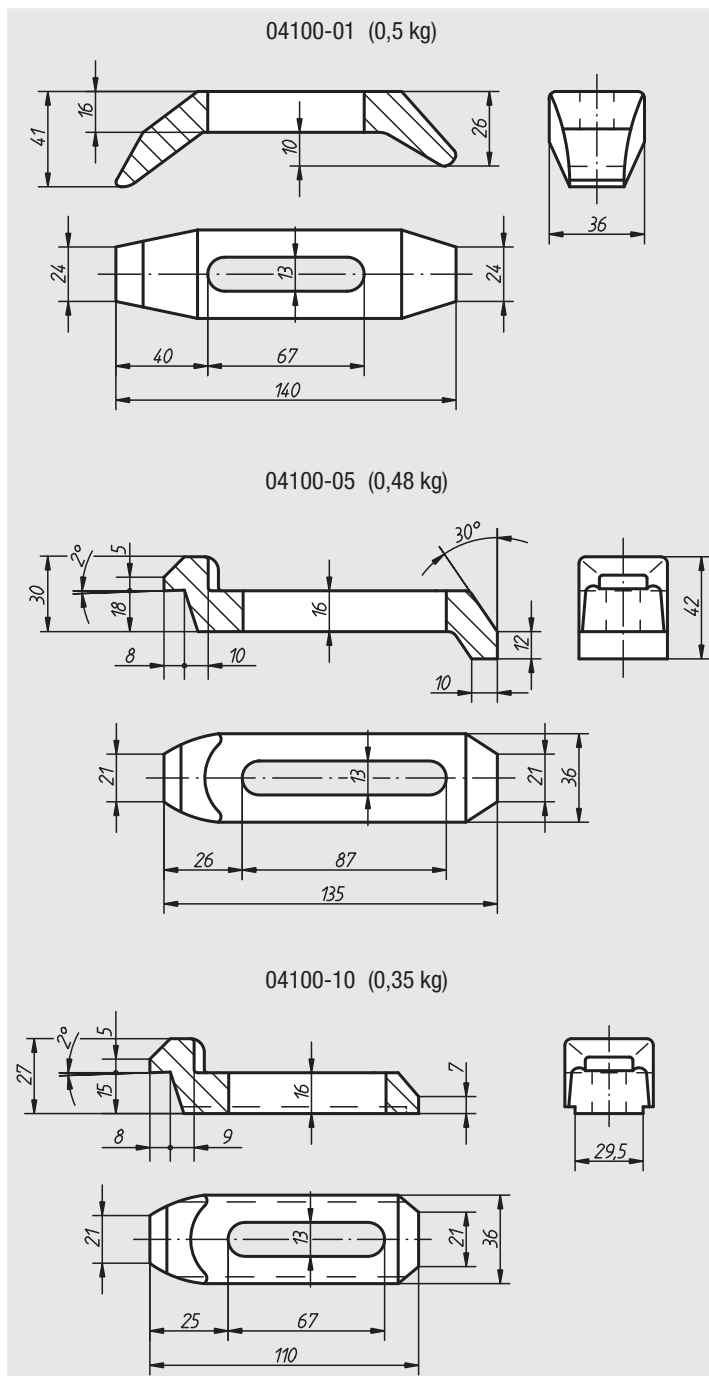
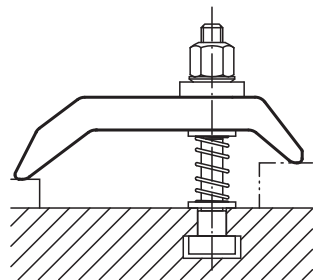


Material:
Tempered steel 1.7225

Surface finish:
Heat-treated at 1000 N/mm², black oxide finish

Sample order:
nlm 04100-10

Note:
Goose-neck straps with long slot are also used for quick-acting clamps 04200.



Order No.	Approx. weight kg
04100-01	0,5
04100-05	0,48
04100-10	0,355