

Forked clamps

to DIN 6315, steel or aluminium


Material:

Tempered steel or EN AW-7022

Surface finish:

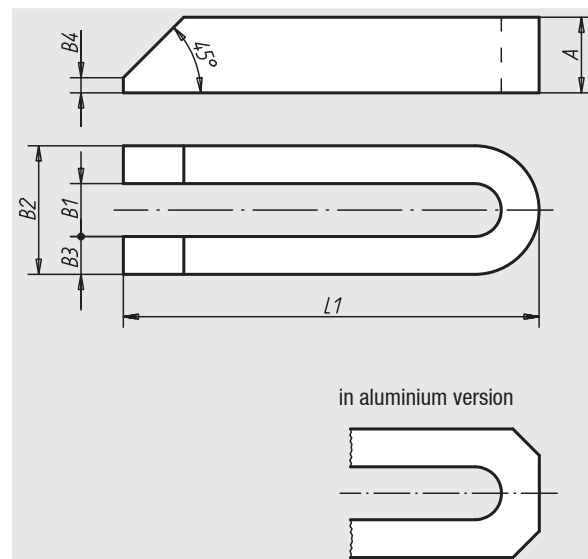
Painted, aluminium natural finish

Sample order:

nIm 04110-06

Note:

With concave washers, use the wide series 07420 form G.



Order No.	Material	L1	A	B1	B2	B3	B4	for screw	Approx. weight kg
04110-06	steel	60	12	7	19	6	3	M6	0,060
04110-08	steel	80	15	9	25	8	4	M8	0,140
04110-10	steel	100	20	11	31	10	5	M10	0,300
04110-12	steel	125	25	14	39	12	6	M12/M14	0,570
04110-121	steel	160	25	14	39	12	6	M12/M14	0,730
04110-122	steel	200	25	14	38	12	6	M12/M14	0,910
04110-16	steel	160	30	18	48	15	8	M16/M18	1,080
04110-161	steel	200	30	18	48	15	8	M16/M18	1,360
04110-162	steel	250	40	18	48	15	10	M16/M18	2,250
04110-20	steel	200	40	22	52	15	10	M20/M22	1,800
04110-201	steel	250	40	22	63	20	10	M20/M22	3,000
04110-202	steel	315	40	22	62	20	10	M20/M22	3,850
04110-24	steel	200	40	26	66	20	10	M24	2,400
04110-241	steel	250	40	26	66	20	10	M24	3,000
04110-242	steel	315	40	26	66	20	10	M24	3,850
04110-301	steel	250	50	34	74	20	12	M30/M32	4,750
04110-30	steel	315	50	34	74	20	12	M30/M32	4,750
04110-302	steel	400	50	34	74	20	12	M30/M32	6,100
04110-40	steel	400	60	40	100	30	12	M36	11,000
04110-401	steel	600	60	40	100	30	12	M36	16,500
04110-206	aluminium	60	12	7	19	6	3	M6	0,020
04110-208	aluminium	80	15	9	25	8	4	M8	0,050
04110-210	aluminium	100	20	11	31	10	5	M10	0,105
04110-212	aluminium	125	25	14	39	12	6	M12/M14	0,200
04110-2121	aluminium	160	28	14	39	12	6	M12/M14	0,256
04110-216	aluminium	160	30	18	48	15	8	M16/M18	0,378
04110-2161	aluminium	200	36	18	48	15	8	M16/M18	0,477
04110-220	aluminium	200	40	22	52	15	10	M20/M22	0,630
04110-2201	aluminium	250	40	22	63	20	10	M20/M22	1,052
04110-224	aluminium	200	40	26	66	20	10	M24	0,842
04110-2241	aluminium	250	40	26	66	20	10	M24	1,052
04110-230	aluminium	315	50	34	74	20	12	M30/M32	1,666

