

# Swan-neck clamps

continuously adjustable

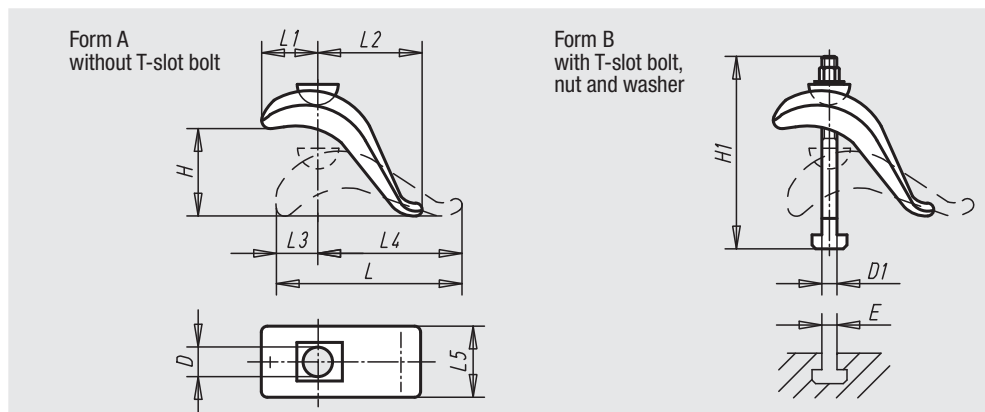


**Material:**  
Steel

**Surface finish:**  
Forged and tempered, painted;  
bolts: quality class 8.8

**Sample order:**  
nlm 04140-010

**Note:**  
The infinitely variable tension claw quickly bridges the various tension levels with no additional base and takes up little space on the machine-tool table. It is designed to take the greatest stress and is especially suited to tightening cutting and die-stamping tools.



| Order No. | Form | D  | D1  | E  | H  | H1  | L   | L1 | L2 | L3 | L4  | L5 | Clamping force kN | Approx. weight kg |
|-----------|------|----|-----|----|----|-----|-----|----|----|----|-----|----|-------------------|-------------------|
| 04140-010 | A    | 17 | -   | -  | 75 | -   | 140 | 55 | 60 | 30 | 110 | 50 | 20,2              | 0,900             |
| 04140-020 | A    | 21 | -   | -  | 85 | -   | 175 | 70 | 80 | 40 | 135 | 60 | 37,8              | 1,600             |
| 04140-030 | B    | 17 | M12 | 12 | 50 | 125 | 140 | 55 | 60 | 30 | 110 | 50 | 20,2              | 1,070             |
| 04140-040 | B    | 17 | M12 | 14 | 50 | 125 | 140 | 55 | 60 | 30 | 110 | 50 | 20,2              | 1,080             |
| 04140-050 | B    | 17 | M16 | 16 | 75 | 160 | 140 | 55 | 60 | 30 | 110 | 50 | 37,8              | 1,270             |
| 04140-060 | B    | 17 | M16 | 18 | 75 | 160 | 140 | 55 | 60 | 30 | 110 | 50 | 37,8              | 1,280             |
| 04140-080 | B    | 21 | M16 | 16 | 65 | 160 | 175 | 70 | 80 | 40 | 135 | 60 | 37,8              | 1,970             |
| 04140-100 | B    | 21 | M16 | 18 | 65 | 160 | 175 | 70 | 80 | 40 | 135 | 60 | 37,8              | 1,990             |
| 04140-120 | B    | 21 | M20 | 22 | 85 | 200 | 175 | 70 | 80 | 40 | 135 | 60 | 58,8              | 2,370             |