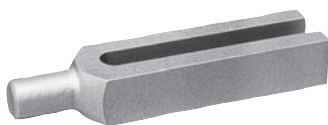


# Forked straps, cylindrical clamp steel

steel and aluminium DIN 6315 C



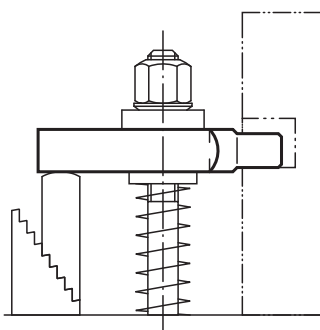
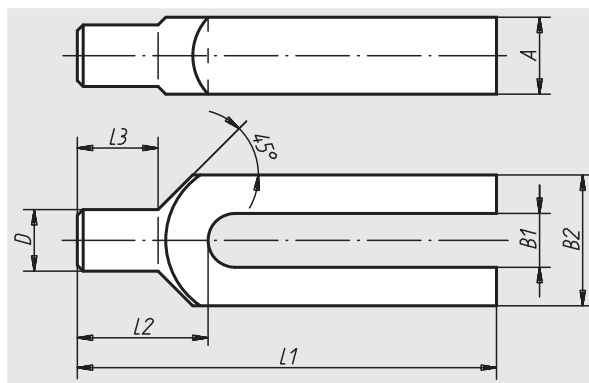
**Material:**  
Tempered steel or EN AW-7022

**Surface finish:**  
Painted, aluminium natural finish

**Sample order:**  
nlm 04150-161

**Note:**  
With concave washers, use the wide series 07420 Form G.

Statements on clamping force are only valid for steel versions.



Order No.	Material	L1	A	B1	B2	D	L2	L3	for screw	Clamping force kN	Approx. weight kg
04150-08	steel	100	15	9	30	12	30	18	M8	8,77	0,220
04150-10	steel	125	20	11	30	16	36	24	M10	13,9	0,350
04150-12	steel	160	25	14	40	20	45	30	M12/M14	20,2	0,750
04150-121	steel	200	25	14	40	20	45	30	M12/M14	20,2	0,950
04150-16	steel	200	30	18	50	24	55	36	M16/M18	37,8	1,400
04150-161	steel	250	30	18	50	24	55	36	M16/M18	37,8	1,750
04150-20	steel	250	40	22	60	30	65	45	M20/M22	58,8	2,700
04150-201	steel	315	40	22	60	30	65	45	M20/M22	58,8	3,400
04150-208	aluminium	100	15	9	30	12	30	18	M8	-	0,077
04150-210	aluminium	125	20	11	30	16	36	24	M10	-	0,122
04150-212	aluminium	160	28	14	40	20	45	30	M12/M14	-	0,350
04150-2121	aluminium	200	32	14	40	20	45	30	M12/M14	-	0,335
04150-216	aluminium	200	30	18	50	24	55	36	M16/M18	-	0,492
04150-2161	aluminium	250	30	18	50	24	55	36	M16/M18	-	0,614
04150-220	aluminium	250	40	22	60	30	65	45	M20/M22	-	0,947
04150-2201	aluminium	315	48	22	60	30	65	45	M20/M22	-	1,195