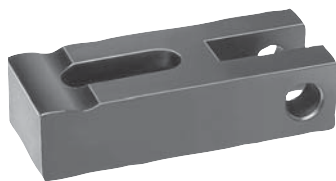


Cam clamps



Material:

Tempered steel 1.1191

Surface finish:

Tempered and black oxide finish

Sample order:

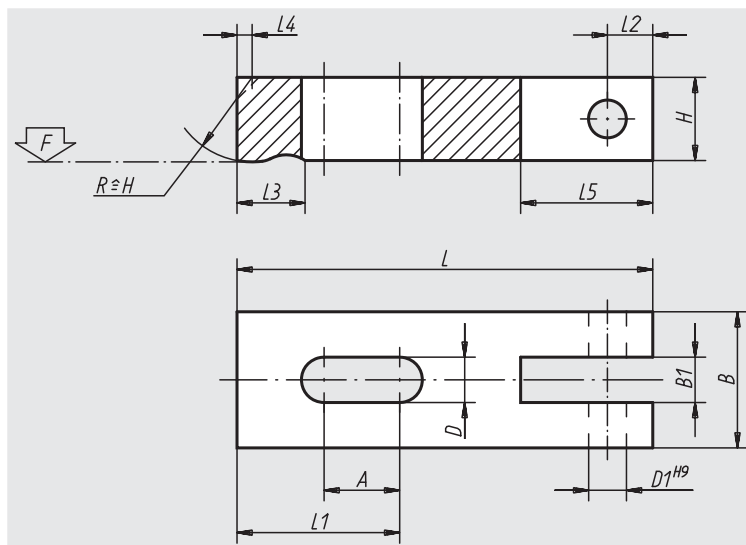
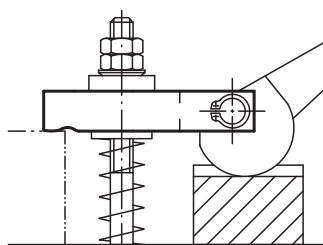
nIm 04170-12

Note:

Fitting axial bolts 04250.

Eccentric lever see 04290.

Form G is to be used when using conical sockets 07420.



Order No.	L	L1	L2	L3	L4	L5	B	B1	H	D	D1	A	F max. kN	Approx. weight kg
04170-08	63	28	8	12	2	24	25	9,5	16	9	8	16	8,77	0,090
04170-10	80	36	10	16	2,5	29	32	12,5	20	11	10	20	13,9	0,130
04170-12	100	45	12	22	3	36	40	14,5	25	14	12	25	20,2	0,270

Mini clamps



Material:

Steel

Surface finish:

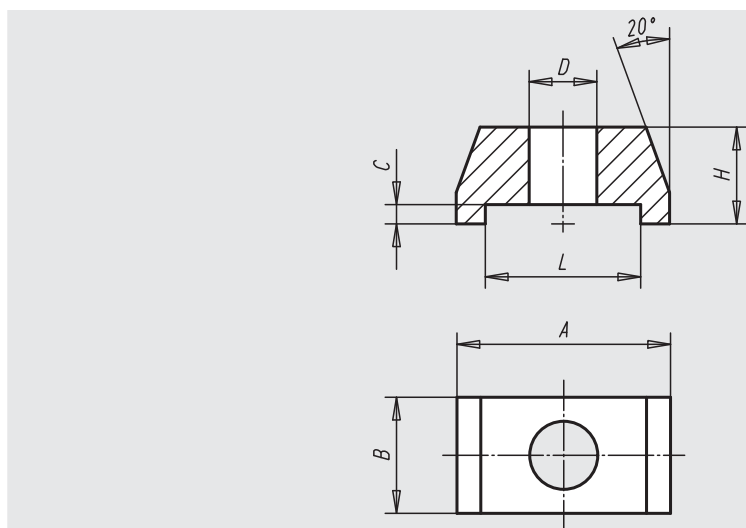
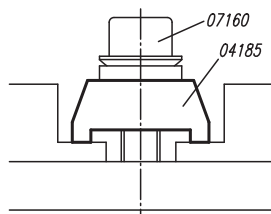
Black oxide finish

Sample order:

nIm 04185-012

Note:

Two work-pieces can be tensioned simultaneously using the mini grip yoke.



Order No.	A	B	C	D	H	L	Clamping force kN	Approx. weight kg
04185-006	22	12	2	7	10	16	4,82	0,015
04185-008	22	12	2	9	10	16	8,77	0,015
04185-010	35	19	3	11	15	24	13,9	0,050
04185-012	35	19	3	13	15	24	20,2	0,050
04185-016	50	29	5	17	25	36	37,8	0,200