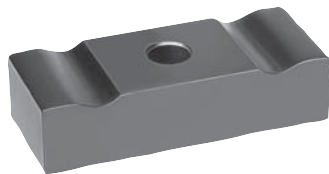


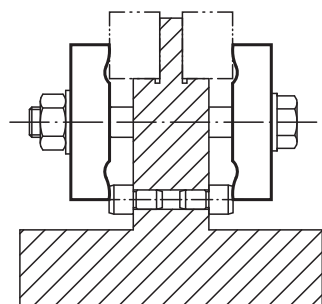
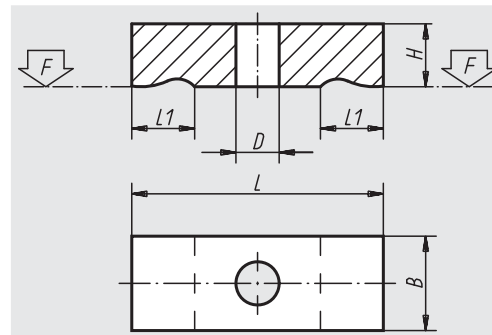
Double-ended clamps



Material:
Tempered steel 1.1191

Surface finish:
Black oxide finish

Sample order:
nlm 04190-12



Order No.	L	L1	B	H	D	F kN	Approx. weight kg
04190-05	32	8	12	8	5,5	3,42	0,020
04190-06	40	10	16	10	7	4,82	0,040
04190-08	50	12	20	12	9	8,77	0,090
04190-10	63	16	25	16	11	13,9	0,150
04190-12	80	20	32	20	14	20,2	0,300
04190-14	100	25	40	25	16	27,6	0,620
04190-16	125	32	50	30	18	37,8	1,520
04190-20	160	40	60	30	22	58,8	2,650

Equipped clamps

straight

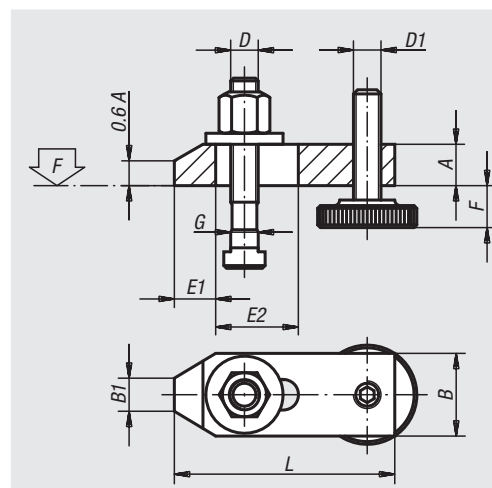


Material:
Tempered steel, screws heat-treated class 8.8

Surface finish:
Clamp painted; screws black oxide finish

Sample order:
nlm 04192-1616

Note:
„F“ is dependent on the depth of slot according to DIN 650.



Order No.	L	A	B	B1	E1	E2	F	G for T-slot	D	D1	F kN	Approx. weight kg
04192-1010	80	15	30	12	15	30	8-32	10	M10x80	M10	13,9	0,340
04192-1212	100	20	40	14	21	40	10-40	12	M12x100	M12	20,2	0,700
04192-1214	100	20	40	14	21	40	10-38	14	M12x100	M12	20,2	0,720
04192-1616	125	25	50	18	26	45	13-49	16	M16x125	M16	37,8	1,400
04192-1618	125	25	50	18	26	45	13-46	18	M16x125	M16	37,8	1,420
04192-2020	160	30	60	22	30	60	16-65	20	M20x160	M20	58,8	2,750
04192-2022	160	30	60	22	30	60	16-65	22	M20x160	M20	58,8	2,770