

# Quick-acting clamps

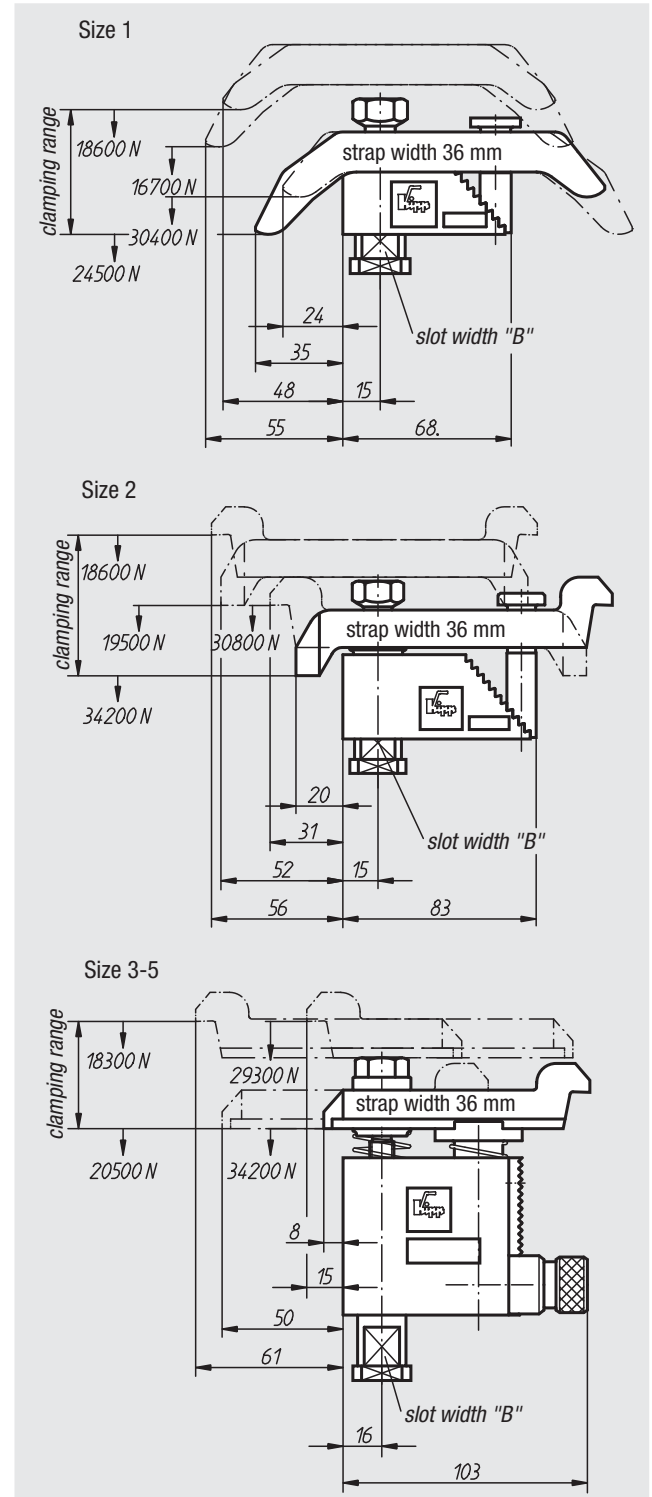
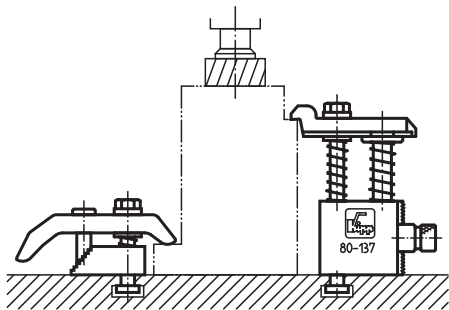


**Material:**  
Base in spheroidal cast iron,  
strap and clamping screw in tempered steel

**Surface finish:**  
Black oxide finish

**Sample order:**  
nlm 04200-40X16 (please also indicate dimension B)

**Note:**  
Quick-acting clamps are universal, flexible clamping devices which are reassembled from individual components and yet always make up a complete unit. There are no loose parts which first have to be put together for a clamping operation. Thanks to their compact design, these clamps can be placed very close to the workpiece, so that the full surface area of the machine table can be used.



| Order No. | Size | Clamping range | Slot width B to DIN 650 | Weight |
|-----------|------|----------------|-------------------------|--------|
| 04200-10X | 1    | 0-35           | 12/14/16/18             | 0,970  |
| 04200-20X | 2    | 25-85          | 12/14/16/18             | 1,210  |
| 04200-30X | 3    | 80-137         | 12/14/16/18             | 1,710  |
| 04200-40X | 4    | 125-224        | 12/14/16/18             | 2,470  |
| 04200-50X | 5    | 160-300        | 12/14/16/18             | 3,060  |